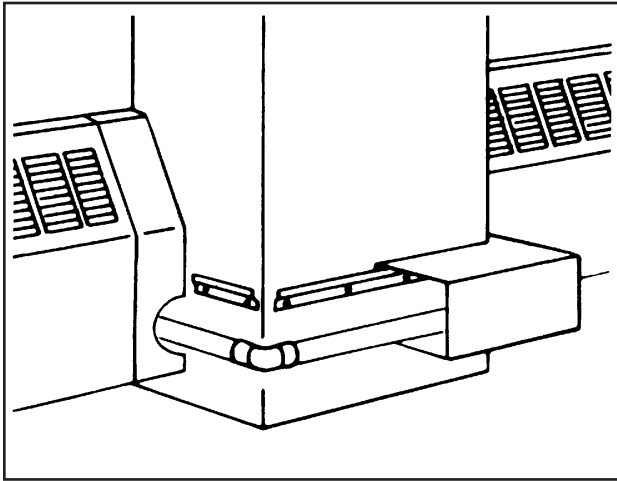


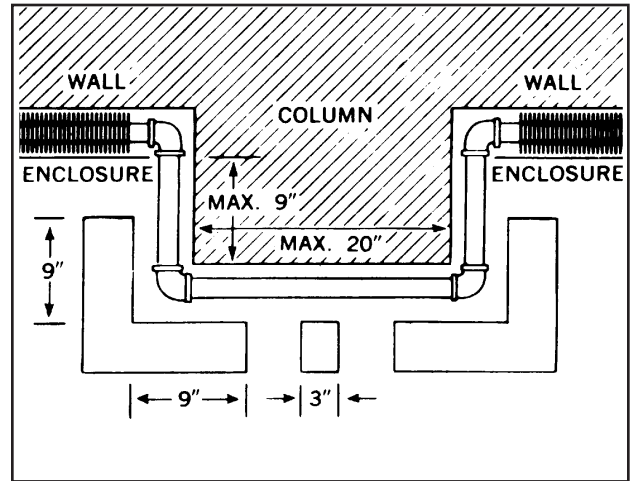
Problem-solver: mounting accessories for commercial fin-tube enclosures

TREATMENT AT COLUMNS:



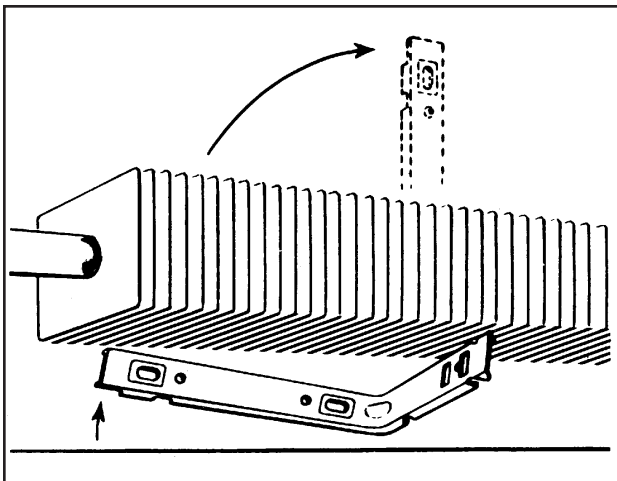
COLUMN COVER SET — Use to conceal bare or insulated piping which runs around a column. Available in heights of 4 $\frac{3}{4}$ ", 9 $\frac{1}{2}$ " and 16 $\frac{1}{2}$ ", for 1 tier, 2 tier and 3 tier installations.

NOTE: Notches in splice plate, filler sleeve and enclosure are field trimmed by installer to fit job requirements.

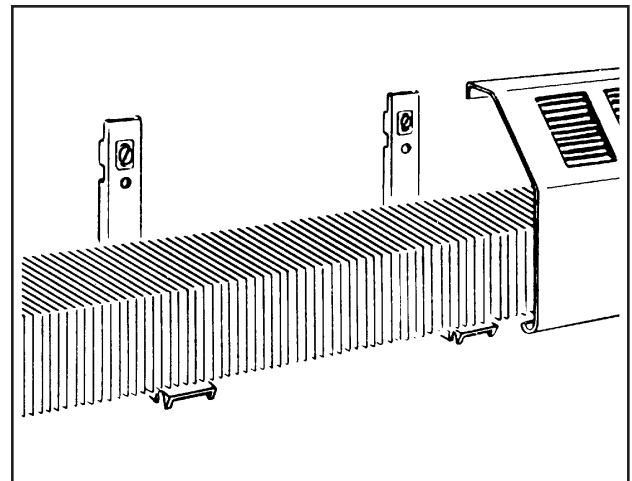


Set consists of two 9" x 9" L-shaped sections, a 3" telescopic splice plate, 4' of hanging strip and 20" of rubber gasketing. Will accommodate columns up to 9" deep (to face of radiation enclosure) and up to 20" wide; may easily be trimmed to suit smaller dimensions.

ENCLOSING A BARE FIN-TUBE INSTALLATION:



AC ADAPTER BRACKET — Sometimes it's necessary to add an enclosure to previously-installed bare fin-tube. AC adapter brackets make this a simple job.

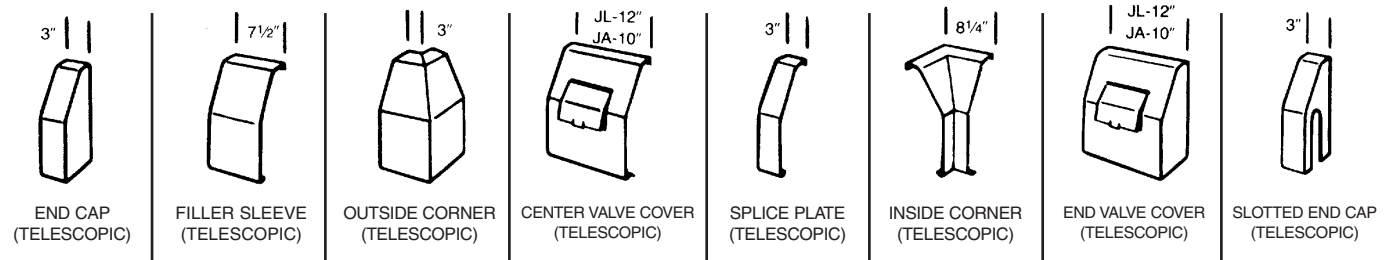


They slide under and behind the fin-tube. You fasten them to the wall and snap on any Slant/Fin enclosure instantly.

See other side

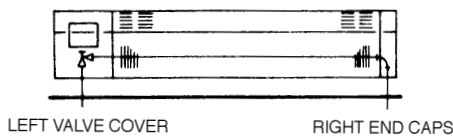
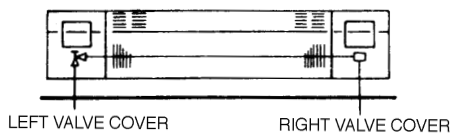
Standard fin-tube accessories suit varied installation requirements

Type JA-14 illustrated; similar accessories available for other JA, JL, Multi/Pak 90 Series, FS, R, TBG, EM and F enclosures.

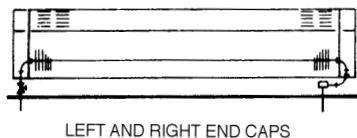


TYPICAL ARRANGEMENTS OF ENCLOSURES:

Enclosure same length as element.



To allow adequate space for fittings, use enclosure one foot longer than element

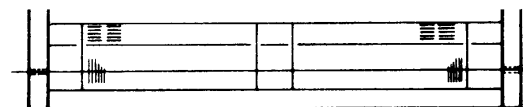
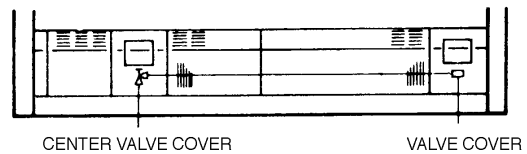
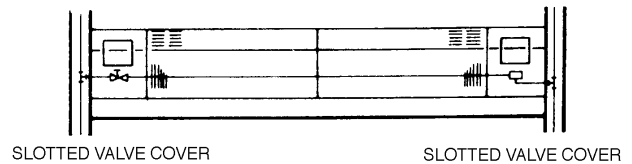


When room partition will be installed after enclosure.

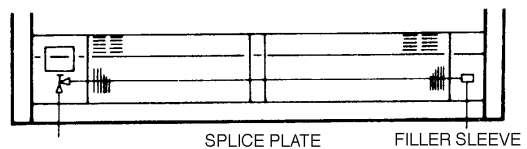


When partition is installed later, remove filler sleeve and replace with 2 slotted end caps.

Wall-to-wall installations.



Filler sleeves, 7 1/2" wide.
For filling gaps at center or ends.



Splice plates, 3" wide, are used for narrower gaps.

When using valve covers, an additional bracket should be installed at the right or left end of the valve cover for additional support.