

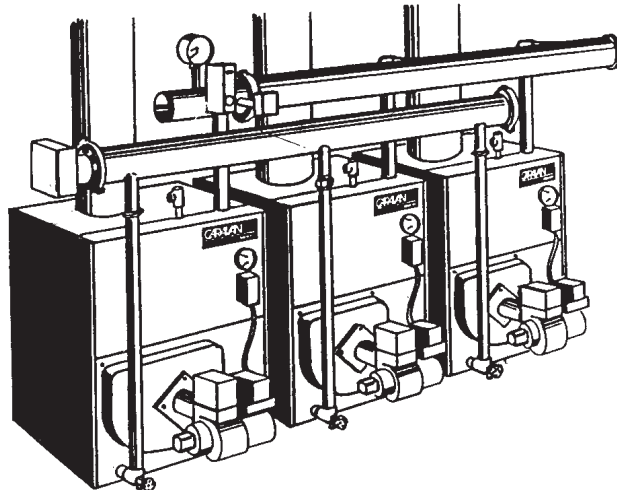
# Slant/Fin®

# CARAVAN®

## Modular Boiler Submittal Data

### LZDF SERIES—Dual Fuel/Steam

A Caravan modular boiler system consists of two or more compact boilers that offer significant advantages in terms of installed cost, efficiency and reliability. Caravan systems are based on step-firing just enough modules to meet heating demands. LZDF systems are available in 620,000 to multi-million Btuh gross input. For additional information, see Caravan Engineering Manual, pub. C-30.



#### Standard Equipment

##### One per module unless otherwise noted

Pre-assembled heat exchanger with insulated jacket.

Dual fuel gas/oil burner with oil valve, gas regulator, gas valve, flame safeguard with UV scanner and on-off fuel transfer switch (unmounted). Gordon-Piatt burner model #S4.1-GO has intermittent gas pilot to light oil and/or gas main flame.

Module pressure gauge and siphon (unmounted).

System pressure gauge and siphon (unmounted, one per system).

Module pressure relief valve, ASME (unmounted) 15 psi.  
 Double swing draft regulator (unmounted).  
 Flue brush.  
 Drain cock (unmounted).  
 Water level sight glass (unmounted).

#### Standard Equipment

Dual fuel changeover thermostat.  
 Internal tankless heaters.  
 Two-stage fuel pump in place of one-stage fuel pump.  
 ASME Package—includes:  
 67 Low water cutoff (one per module)  
 PA404A Pressure control (one per mod.)  
 67M Low water cutoff (one per system)  
 L4079B Manual reset pressure

### Ratings

#### Dual Fuel Caravan ratings and dimensions/steam models—LZDF Series

Model No.	No. of Htg. Mods	RATINGS FOR GAS						RATINGS FOR OIL						Boiler Water Content (gal)	Weight with Water	Recommended Header Size	
		I=B=R						I=B=R									
		Input MPH	Gross Output MPH †	Comb. Efficiency	Net Output MPH †	Sq. Ft. Steam ‡	Horsepower	Firing Rate GPH*	Input MPH	Gross Output MPH	Comb. Efficiency	Net Output MPH †	Sq. Ft. Steam ‡				Horsepower
LZDF-600-2-5	2	620	500	83.30	375	1563	14.9	4.30	602	500	85.90	375	1563	14.9	21.4	1506	3"
LZDF-750-2-6	2	750	592	83.20	444	1850	17.7	5.20	728	592	85.80	444	1850	17.7	25.2	1710	3"
LZDF-850-2-7	2	798	620	82.90	466	1946	18.6	6.00	840	674	85.50	506	2108	20.1	29.0	1918	3"
LZDF-900-3-5	3	930	750	83.30	563	2346	22.4	6.40	896	750	85.90	563	2346	22.4	32.1	2259	3"
LZDF-1100-3-6	3	1125	888	83.20	666	2775	26.5	7.80	1092	888	85.80	666	2775	26.5	37.8	2565	5"
LZDF-1300-3-7	3	1197	930	82.90	699	2917	27.9	9.00	1260	1011	85.50	758	3158	30.2	43.5	2876	5"
LZDF-1700-4-7	4	1596	1240	82.90	932	3888	37.2	12.00	1680	1348	85.50	1018	4242	40.3	58.0	3834	6"
LZDF-2100-5-7	5	1995	1550	82.90	1165	4963	46.5	15.00	2100	1685	85.50	1298	5408	50.3	72.5	4794	6"

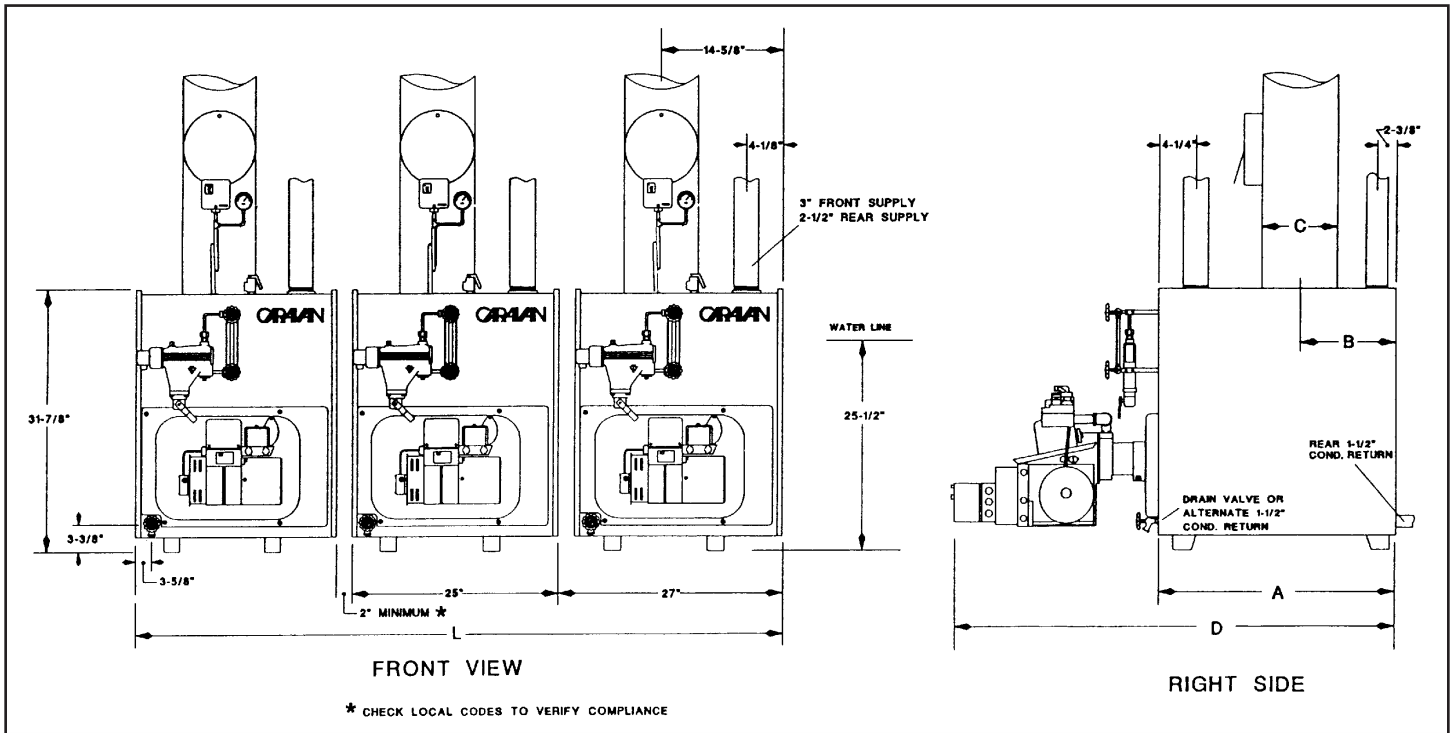
\* Light oil, 140,000 Btu per gallon.

† Net ratings are based on piping and pick-up allowance of 1.33. Slant/Fin should be consulted before selecting a boiler for installation having unusual piping and/or pick-up requirements. For higher elevations, input may need to be reduced.

‡ Based on 150 Btuh per square foot E.D.R. at 170°F average water temperature.

§ Modules in excess of 8 are piped in parallel in two or more banks.

# Dimensions



Model No.	Dimensions *				
	A	B	C	D	L
LZDF-600-2-5	21 5/8"	8 7/32"	8"	49 5/8"	4'4"
LZDF-750-2-6	25"	9 29/32"	8"	53"	4'4"
LZDF-850-2-7	28 3/8"	11 19/32"	9"	56 3/8"	4'4"
LZDF-900-3-5	21 5/8"	8 7/32"	8"	49 5/8"	6'7"
LZDF-1100-3-6	25"	9 29/32"	8"	53"	6'7"
LZDF-1300-3-7	28 3/8"	11 19/32"	9"	56 3/8"	6'7"
LZDF-1700-4-7	28 3/8"	11 19/32"	9"	56 3/8"	8'10"
LZDF-2100-5-7	28 3/8"	11 19/32"	9"	56 3/8"	11'1"

\* Inches, except "L" which is feet/inches.

## Design Data

Max. ASME Working Pressure:  
Power Requirements:

15 psi  
120 volts, 60 HZ  
8.0 amps per module