

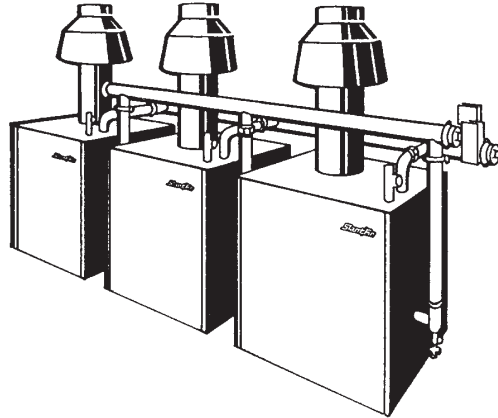
Slant/Fin®

CARAVAN®

Modular Boiler Submittal Data

GGT SERIES—Gas-Fired/Hot Water

A Caravan modular boiler system consists of two or more compact cast-iron boilers that offer significant advantages in terms of installed cost, efficiency and reliability. Caravan systems are based on step-firing just enough modules to meet heating demands. GGT systems are available in 400,000 to multi-million Btuh gross input. For additional information, see Caravan Engineering Manual, pub. C-30 and Caravan gas application guide, pub. CG-10-HWG.



Standard Equipment

One per module unless otherwise noted:

Pre-assembled cast-iron heat exchanger with built-in air separators and insulated jacket.

Base.

Flue collector.

Gas burners, gas orifices and manifold assembly.

Combination gas valve including manual shut-off and pressure regulator.

Pilot adjustment and automatic pilot thermocouple safety.

Hi-limit control.

Module pressure and temperature gauge (unmounted).

Module pressure relief valve (ASME) (unmounted). Specify 30, 50 or 100 psi.

Control header (unmounted, one per system).

Draft hood (unmounted).

Spark ignition system.

Optional Equipment

Hot water supply and return header assemblies.

Control panel with automatic lead/lag.

Standing pilot available on:

GG-200EC, GG-250EC, GG-300EC

Vent dampers.

External DHW heat exchanger.

Ratings

Gas Caravan ratings and dimensions/hot water models — GGT Series

Model No. *	Consists of		I=B=R Ratings (MBH)		EDR Water‡ (Sq. Ft.)	I=B-R Net Output† (MBH)	Boiler Horsepower	Water Content (gal.)	A.G.A. Combust. Efficiency	Ship Wt.
	No. of Htg. Mod.§	Module Model Number	Input	Gross Output§						
GGT-400	2	GG-200EC	400	332	1866	280	9.9	14.2	82.0	820
GGT-500	2	GG-250EC	500	402	2333	350	12.0	16.4	80.4	950
GGT-600	2	GG-300EC	600	480	2780	417	14.3	18.4	80.0	1080
GGHT-750	2	GG-375HEC	750	608	3520	528	18.1	20.6	81.0	1230
GGHT-800	2	GG-399HEC	798	654	3786	568	19.5	20.6	82.0	1230
GGT-900	3	GG-300C	900	720	4173	626	21.5	27.6	80.0	1590
GGHT-1125	3	GG-375HEC	1125	912	5286	793	27.2	30.9	81.0	1830
GGHT-1200	3	GG-399HEC	1197	981	5686	853	29.3	30.9	82.0	1830
GGT-1200	4	GG-300C	1200	960	5560	834	28.7	36.8	80.0	2140
GGHT-1500	4	GG-375HEC	1500	1216	7046	1057	36.3	41.2	81.0	2440
GGT-1500	5	GG-300EC	1500	1200	6950	1043	35.9	46.0	80.0	2675
GGHT-1600	4	GG-399HEC	1596	1308	7580	1137	39.0	41.2	82.0	2440
GGHT-1875	5	GG-375HEC	1875	1520	8806	1321	45.4	51.5	81.0	3050
GGHT-2000	5	GG-399HEC	1995	1635	9473	1421	48.8	51.5	82.0	3050
GGHT-2250	6	GG-375HEC	2250	1824	10573	1586	54.4	61.8	81.0	3660
GGHT-2400	6	GG-399HEC	2394	1962	11373	1706	58.6	61.8	82.0	3660
GGHT-2625	7	GG-375HEC	2625	2128	12333	1850	63.5	72.1	81.0	4270
GGHT-2800	7	GG-399HEC	2793	2289	13266	1990	68.3	72.1	82.0	4270
GGHT-3000	8	GG-375HEC	3000	2432	14093	2114	72.6	82.4	81.0	4880
GGHT-3200	8	GG-399HEC	3192	2616	15160	2274	78.1	82.4	82.0	4880
GGHT-3375	9	GG-375HEC	3375	2736	15860	2379	81.7	92.7	81.0	5490
GGHT-3600	9	GG-399HEC	3591	2943	17060	2559	87.9	92.7	82.0	5490
GGHT-3750	10	GG-375HEC	3750	3040	17620	2643	90.8	103.0	81.0	6100
GGHT-4000	10	GG-399HEC	3990	3270	18953	2843	97.6	103.0	82.0	6100
83% Efficiency Modules										
GGHT-700	2	GG-350HEC	700	581	3368	505	17.3	20.6	83.0	1230
GGHT-1050	3	GG-350HEC	1050	872	5052	758	26.0	30.9	83.0	1830
GGHT-1400	4	GG350HEC	1400	1162	6736	1010	34.7	41.2	83.0	2440
GGHT-1750	5	GG-350HEC	1750	1453	8420	1263	43.4	51.5	83.0	3050
GGHT-2100	6	GG-350HEC	2100	1743	10104	1516	52.0	61.8	83.0	3660
GGHT-2450	7	GG-350HEC	2450	2034	11788	1768	60.7	72.1	83.0	4270
GGHT-2800	8	GG-350HEC	2800	2324	13472	2021	69.4	82.4	83.0	4880
GGHT-3150	9	GG-350HEC	3150	2615	15157	2273	78.1	92.7	83.0	5490
GGHT-3500	10	GG-350HEC	3500	2905	16841	2526	86.8	103.0	83.0	6100

* Specify gas by name, "Natural" or "Propane".

† Net ratings are based on piping and pick-up allowance of 1.15. Slant/Fin should be consulted before selecting a boiler for installation having unusual piping and/or pick-up requirements. Ratings must be reduced by 4% at 2,000 ft. elevation and an additional 4% for every additional 1,000 ft. elevation over 2,000 ft.

‡ Net ratings in square feet based on emission rate of 150 Btuh/sq. ft.

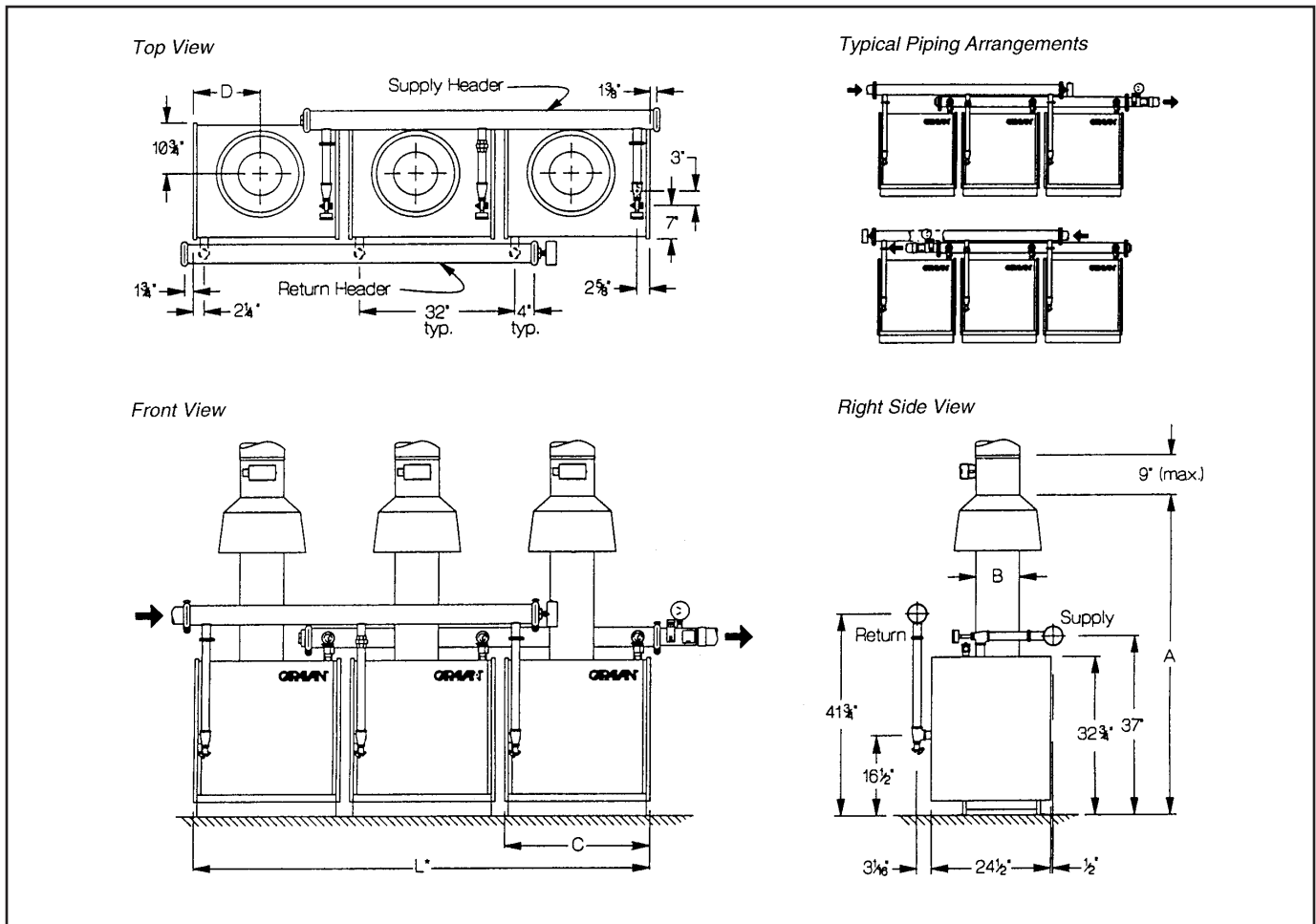
§ I=B=R gross output.

Modules in excess of 10 should be piped in parallel in two or more batteries. For dimension specifications, refer to Publication number CG-10-HWG.

Note: Specify pressure relief setting. Relief valve is available with 30, 50 or 100 psi.

FOR LARGER SIZES, USE MULTIPLES OF THE ABOVE.

Dimensions



Model Size	Dimensions			
	A	B	C	D
200	57 1/2"	7"	20"	8 3/4"
250	59 3/4"	8"	23 3/4"	10 1/4"
300	59 3/4"	8"	26 3/4"	12"
350	66 1/4"	9"	30"	13 3/4"
375	59 3/4"	10"	30"	13 3/4"
399	62 3/4"	10"	30"	13 3/4"

Model No.	Dimension L	Consists of	
		No. of Htg. Mod. §	Module Model Number
GGT-400	4'4"	2	GG-200EC
GGT-500	4'7"	2	GG-250EC
GGT-600	4'11"	2	GG-300EC
GGHT-750	5'2"	2	GG-375HEC
GGHT-800	5'2"	2	GG-399HEC
GGT-900	7'7"	3	GG-300C
GGHT-1125	7'10"	3	GG-375HEC
GGHT-1200	7'10"	3	GG-399HEC
GGT-1200	10'3"	4	GG-300C
GGHT-1500	10'6"	4	GG-375HEC
GGT-1500	12'11"	5	GG-300EC
GGHT-1600	10'6"	4	GG-399HEC

Model No.	Dimension L	Consists of	
		No. of Htg. Mod. §	Module Model Number
GGHT-1875	13'2"	5	GG-375HEC
GGHT-2000	13'2"	5	GG-399HEC
GGHT-2250	15'10"	6	GG-375HEC
GGHT-2400	15'10"	6	GG-399HEC
GGHT-2625	18'6"	7	GG-375HEC
GGHT-2800	18'6"	7	GG-399HEC
GGHT-3000	21'2"	8	GG-375HEC
GGHT-3200	21'2"	8	GG-399HEC
GGHT-3375	23'10"	9	GG-375HEC
GGHT-3600	23'10"	9	GG-399HEC
GGHT-3750	26'6"	10	GG-375HEC
GGHT-4000	26'6"	10	GG-399HEC

83% Efficiency Modules

GGHT-700	5'2"	2	GG-350HEC
GGHT-1050	7'10"	3	GG-350HEC
GGHT-1400	10'6"	4	GG-350HEC
GGHT-1750	13'2"	5	GG-350HEC
GGHT-2100	15'10"	6	GG-350HEC
GGHT-2450	18'6"	7	GG-350HEC
GGHT-2800	21'2"	8	GG-350HEC
GGHT-3150	23'10"	9	GG-350HEC
GGHT-3500	26'6"	10	GG-350HEC

Design Data

Max. ASME Working Pressure: 100 psi

Power Requirements: 120 volts, 60 Hz, .34 amps per module



©Slant/Fin Corp. 2000. Printed in the U.S.A. 602. Publication No. C-10-MG-RA.

Slant/Fin®

SLANT/FIN CORPORATION, Greenvale, N.Y. 11548 • Phone: (516) 484-2600
 FAX: (516) 484-5921 • Canada: Slant/Fin LTD/LTEE, Mississauga, Ontario

www.slantfin.com