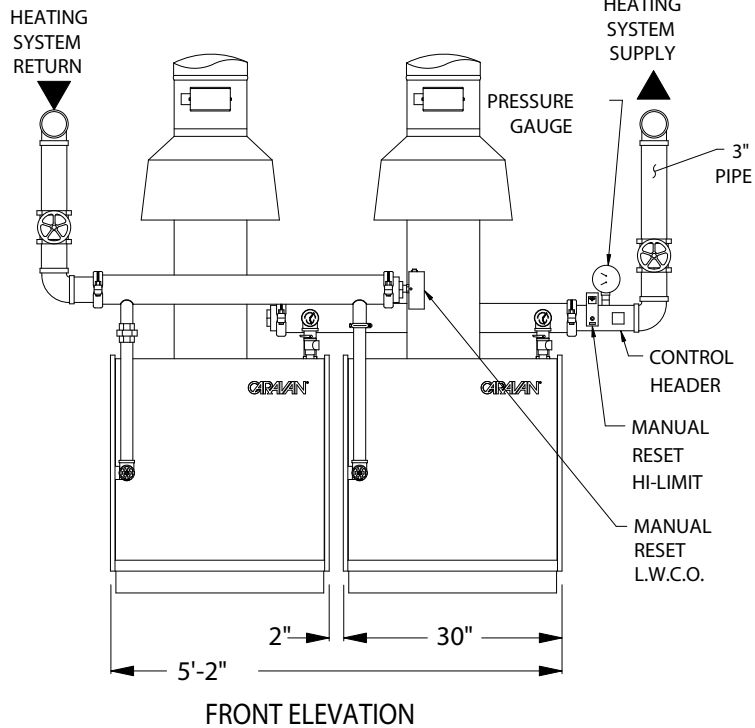
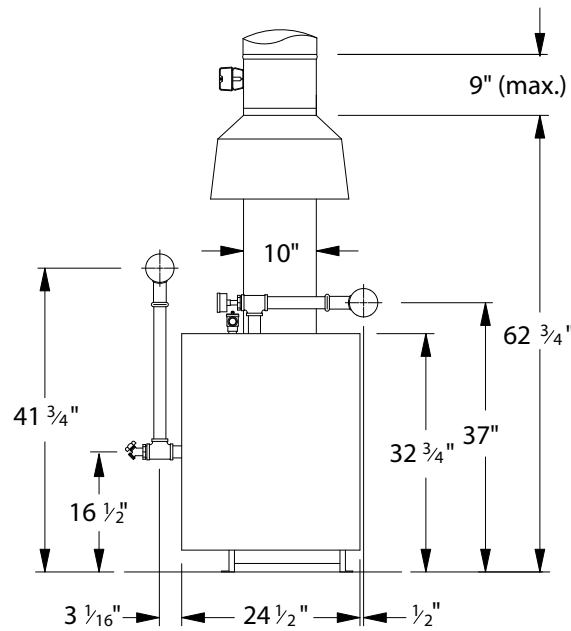


**NOTES:**

- 1- This is a concept drawing. Designers must determine if this system is appropriate for a specific application. Installation must comply with local code requirements, and if necessary, auxiliary equipment and safety devices must be added. For additional information, see Caravan Engineering Manual pub. C-30 and Caravan gas application guide pub. CG-10-HWG.



**RIGHT SIDE VIEW**



<b>Slant/Fin</b> SLANT/FIN CORPORATION		
<small>100 FOREST DRIVE, GREENVALE, NEW YORK 11548 / 516-484-2600</small>		
TITLE <b>GGHT-800E GAS FIRED, HOT WATER MODULAR SYSTEM</b>		
DATE 1-26-03	DRAWN BY AC	DRAWING NUMBER <b>PGW208RA</b>
DATE	APPROVED	

DWG FILE -GGHT800