

Slant/Fin®

INTREPID TRDV SEALED COMBUSTION CAST-IRON OIL BOILER



- Vents direct to outdoors without a chimney
- More boiler location options using up to 20' of flexible vent pipe
- Concentric vent termination kit available
- 0.85 to 1.10 GPH oil input
- AFUE to 87.2%
- Swing out burner door
- Speedy service flue collector uses a resealable gasket
- Easy access, higher output tankless heater coil available
- Refractory target wall increases combustion efficiency
- Front and rear tapings

The direct vent, sealed combustion Intrepid TRDV oil-fired cast iron boiler offers high-efficiency heating without a chimney. TRDV series boilers feature superb combustion with Energy Star AFUE's to 87.2%. Available in hot water models with or without a tankless heater. The computer-aided design heat exchanger is wider and lower

for more even heat transfer. The push nipple ports do not obstruct the flue passage. More BTU's per section than ordinary boilers. Features include metal push nipples, stainless steel tankless heater bolts, return tee for additional zones and brand name controls.

Slant/Fin®

PUBLICATION NO. TRDV-10
Printed in U.S.A. 504

INTREPID TRDV SEALED COMBUSTION CAST-IRON OIL BOILER



Cast-iron reliability and Energy Star efficiency make the TRDV boiler an ideal homeowner choice for years of trouble-free heating performance.

New high performance sealed combustion Intrepid TRDV oil boilers from Slant/Fin require no chimney. They are an ideal choice for new construction, or as an alternative to making costly repairs to poor chimneys. For reliable sealed combustion performance, the TRDV boiler is designed with silicone sealant or silicone coated rope at all flue passage joints. Concentric vent termination kit with flexible tubing available. Tankless coil optional. Input rates of 0.85, 1.0, 1.1 gph.

- Swing open burner door
- Rugged heavy-duty jacket
- Front mounted service switch
- Concentric vent terminal requires just one wall opening
- Vent kit lengths: 5, 10, 15 and 20 ft.
- Resealable flue collector gasket
- Burners available: Beckett AF II, Riello BF 5, Heatwise Pk1A
- Vacuum relief optional

Lifetime Limited Warranty



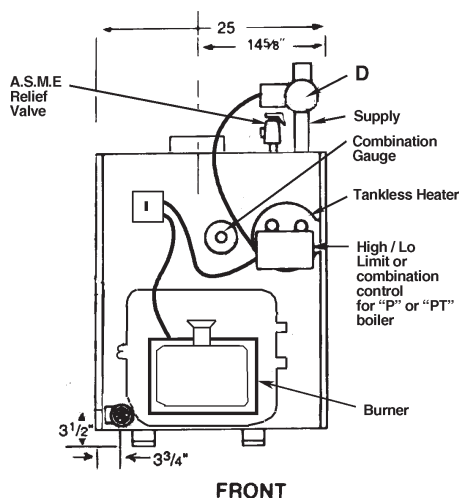
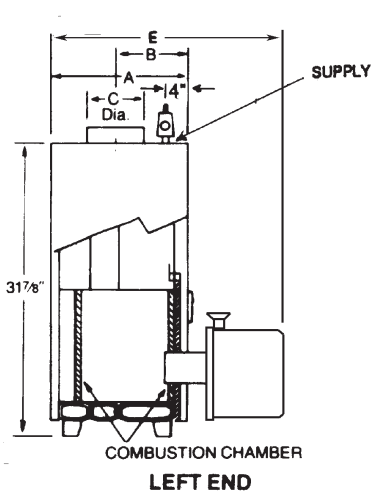
The advanced design of the TRDV boiler's wet-base, wet-back cast-iron heat exchanger maximizes heat transfer and promotes better performance.



Tankless heater models utilize long-life stainless steel cap nuts on coil.

Ratings and Dimensions

Boiler Model	I.B.R. Burner Capacity Oil Input		D.O.E. Heating Capacity MBH	I=B-R Net Ratings MBH	AFUE%	Dimensions (inches)					
	GPH	BTUH				Water	Water	Water	Boiler Length "A"	Front to Flue "B"	Flue Dia. "C"
TRDV-30-0.85	0.85	119,000	103	90	87.22	14.875	10.062	6	1.25	27.625	3
TRDV-30-1.00	1.00	140,000	121	105	86.57	14.875	10.062	6	1.25	27.625	3
TRDV-30-1.10	1.10	154,000	132	115	86.12	14.875	10.062	6	1.25	27.625	3



Standard working pressure 30 psi water.
All boilers hydrostatically tested — A.S.M.E.

* For forced hot water heating systems where the boiler and all piping are located within the area to be heated, the boiler may be selected on the basis of gross D.O.E. capacity output. The net I=B=R output ratings shown are based on an allowance for piping and pickup of 1.15 (water). D.O.E. capacity gross output is divided by the allowance to obtain net rating. The manufacturer should be consulted before selecting a boiler for unusual piping and pickup requirements such as intermittent system operation, extensive piping, etc.

† Ratings apply to the use of light oil at 140,000 Btu per gallon.

** Tankless heater rating based on intermittent draw.

Slant/Fin

SLANT/FIN CORPORATION, Greenvale, N.Y. 11548 • Phone: (516) 484-2600

FAX: (516) 484-5921 • Canada: Slant/Fin LTD/LTEE, Mississauga, Ontario

www.slantfin.com