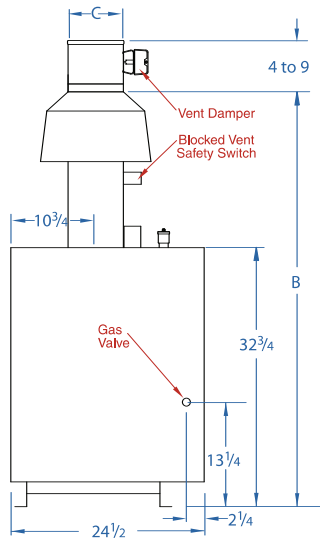


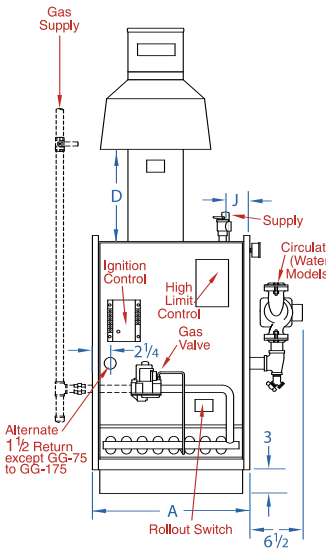


DIMENSIONS – GAS BOILERS

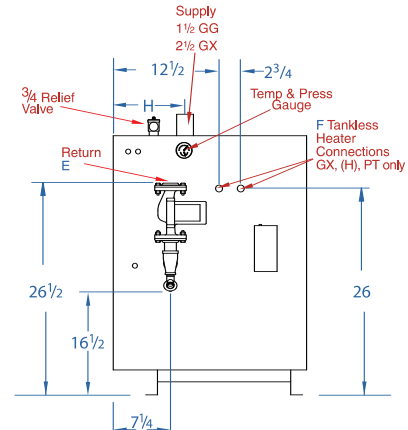
GALAXY GX(H) GXHA SERIES



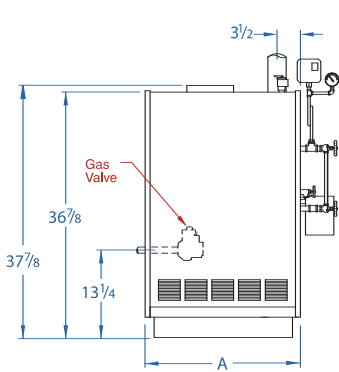
LEFT SIDE VIEW
GX(H)



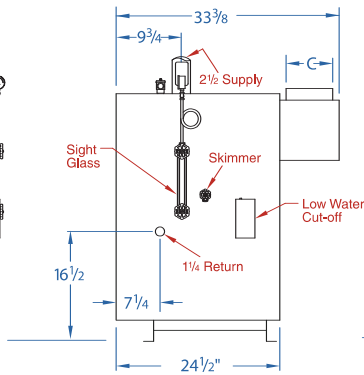
FRONT VIEW
GX(H) Water Models



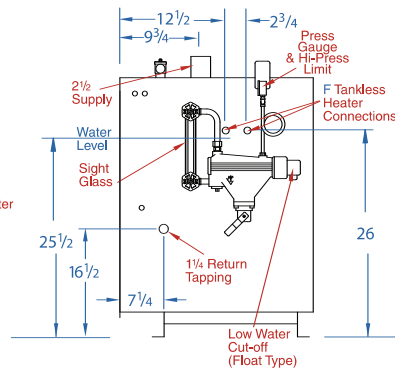
RIGHT SIDE VIEW
GX(H) PT Water Models



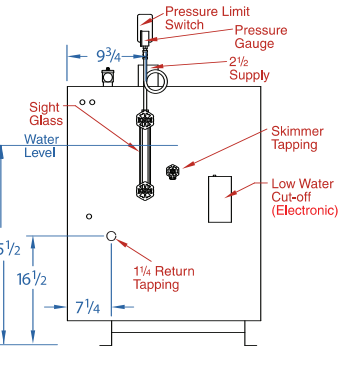
FRONT VIEW
GXHA
Steam Boiler



RIGHT SIDE VIEW
GXHA
Steam Boiler



RIGHT SIDE VIEW
GX(H) PZT, PPZT
Steam Models



RIGHT SIDE VIEW
GX(H) PZ
Steam Models

DIMENSIONS INCHES	MODEL GX and GXH SERIES HOT WATER WITH TANKLESS HEATER — LOW PRESSURE STEAM WITH OPTIONAL TANKLESS HEATER												MODEL GXHA SERIES LOW PRESSURE STEAM WITH OPTIONAL TANKLESS HEATER			
	GXH-105	GXH-125	GXH-150	GXH-170	GXH-190	GXH-210	GX-225	GXH-230	GX-250	GXH-250	GXH-275	GXH-300H	GXHA-100	GXHA-120	GXHA-160	GXHA-200
A JACKET WIDTH	16 ⁹ / ₁₆	16 ⁹ / ₁₆	19 ¹⁵ / ₁₆	19 ¹⁵ / ₁₆	19 ¹⁵ / ₁₆	23 ⁵ / ₁₆	23 ⁵ / ₁₆	23 ⁵ / ₁₆	23 ⁵ / ₁₆	26 ¹ / ₁₆	26 ¹ / ₁₆	26 ¹ / ₁₆	16 ¹ / ₂	16 ¹ / ₂	20	23 ¹ / ₄
B DRAFT HOOD HEIGHT	46 ⁵ / ₈	53 ¹ / ₄	55 ¹ / ₂	55 ¹ / ₂	55 ¹ / ₂	55 ¹ / ₂	56 ⁵ / ₈	55 ¹ / ₂	56 ⁵ / ₈	55 ¹ / ₂	55 ¹ / ₂	59 ¹ / ₈	—	—	—	—
C FLUE COLLAR DIAMETER	5	6	7	7	7	7	8	7	8	7	7	9	5	6	6	7
D JACKET TOP TO DRAFT HOOD	6 ³ / ₄	13	14	14	14	14	14	14	14	14	14	15	—	—	—	—
E CIRCULATOR RETURN FLANGE	1 ¹ / ₄	1 ¹ / ₄	1 ¹ / ₄	1 ¹ / ₄	1 ¹ / ₄	1 ¹ / ₂	1 ¹ / ₂	1 ¹ / ₂	1 ¹ / ₂	1 ¹ / ₂	1 ¹ / ₂	1 ¹ / ₂	—	—	—	—
F TANKLESS COIL CONNECTIONS	1 ¹ / ₂	1 ¹ / ₂	1 ¹ / ₂	1 ¹ / ₂	3 ¹ / ₄	3 ¹ / ₄	3 ¹ / ₄	3 ¹ / ₄	3 ¹ / ₄	3 ¹ / ₄	3 ¹ / ₄	3 ¹ / ₄	1 ¹ / ₂	1 ¹ / ₂	1 ¹ / ₂	3 ¹ / ₄
G RIGHT SIDE TO SUPPLY †	3 ¹ / ₂	3 ¹ / ₂	3 ¹ / ₂	3 ¹ / ₂	3 ¹ / ₂	3 ¹ / ₂	3 ¹ / ₂	3 ¹ / ₂	3 ¹ / ₂	3 ¹ / ₂	3 ¹ / ₂	3 ¹ / ₂	3 ¹ / ₂	3 ¹ / ₂	3 ¹ / ₂	3 ¹ / ₂
H FRONT TO SUPPLY ‡	9 ³ / ₄	9 ³ / ₄	9 ³ / ₄	9 ³ / ₄	9 ³ / ₄	9 ³ / ₄	9 ³ / ₄	9 ³ / ₄	9 ³ / ₄	9 ³ / ₄	9 ³ / ₄	9 ³ / ₄	9 ³ / ₄	9 ³ / ₄	9 ³ / ₄	9 ³ / ₄

GAS VALVE CONNECTION—Size is 1/2" f.p.t. for all models, except GXH-230 and larger, which are 3/4" f.p.t.

VENT TAPPING: 1/2" for all water models.

† Standing pilot.

‡ Crates for all models are 30" wide, 38" high, depth 30" (GXH-105 through GXH-190), 38", 40-1/4" (GXH-210 through GXH-300).

SLANT/FIN CORPORATION, Greenvale, NY 11548 • Phone: (516) 484-2600
 FAX: (516) 484-5921 • In Canada: Slant/Fin LTD/LTEE, Mississauga, Ontario
 www.slantfin.com