

Slant/Fin

MULTI/PAK[®] 90

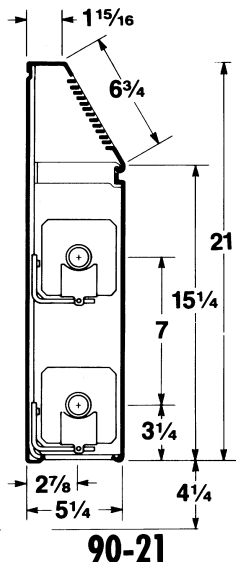
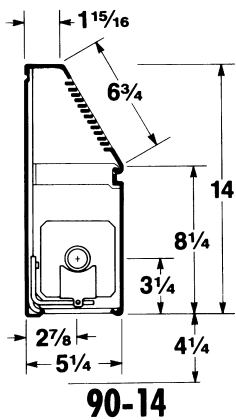
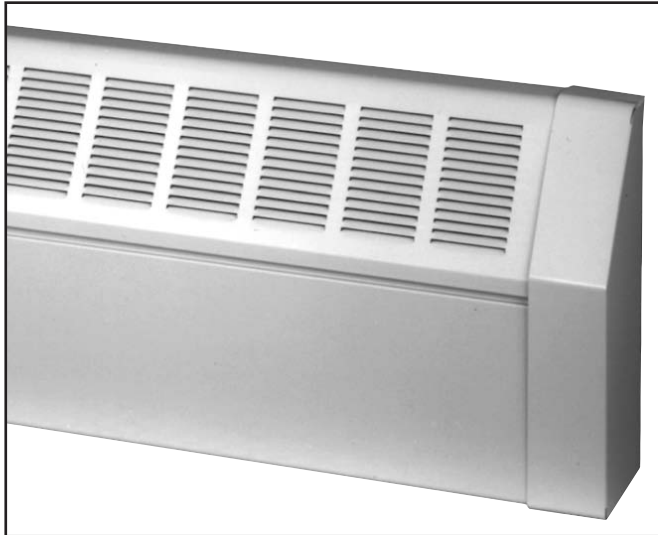
SLOPE-TOP, TWO-PIECE ENCLOSURE

Pre-painted. Factory packaged.



Aluminum grille optional.

MODELS 90-14 AND 90-21



ORDERING DATA

Multi/Pak 90 Complete Enclosure Assembly

PACKAGING: Complete two-piece assembly factory packaged with necessary brackets and hangers.

CONSTRUCTION: Two-piece interlocking top cover/front cover mount on wall brackets. Lock in place to provide the same shape with better rigidity than one-piece covers.

DEPTH: 5 1/4"

HEIGHTS: 14" (one tier), 21" (one or two tier)

LENGTHS: 2', 3', 3 1/2', 4', 5', 6', 7', 8'.

MATERIAL: 18-gauge galvanized steel top and front cover.

FINISH: Nu-White baked enamel is standard. Custom color available on special order. Anodized architectural aluminum grille optional.

WALL BRACKETS/HANGERS: Packaged with complete assembly. SC hanger has guide rod to provide 1 15/16" lateral expansion movement, 1 1/8" vertical pitch adjustment. Brackets and hangers provided with complete assembly as follows:

| Length | 90-14 | | 90-21 | |
|---------|----------|---------|----------|---------|
| | Brackets | Hangers | Brackets | Hangers |
| 2-5 ft. | 2 | 2 | 2 | 4 |
| 6-8 ft. | 3 | 3 | 3 | 6 |

ELEMENTS: Copper with aluminum fins: C-340, C-440, C-540. Steel with electro-galvanized steel fins: S-532, S-540, S-832. Lengths from 2 to 12 feet. See p. 30.

JOINTS: Cover section joints may be made with internal splice plates or telescopic external splice plates.

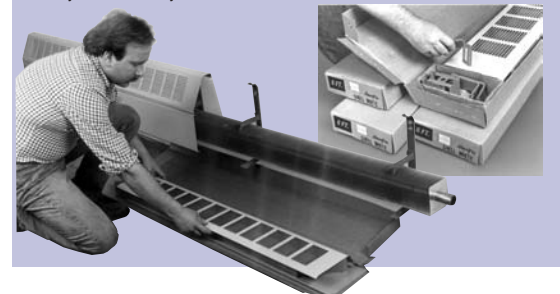
With the optional internal splice plate, cover sections butt to each other with a nearly seamless fit.

Telescopic external splice plates, filler sleeves and other accessories make up odd inches and eliminate the need to perfectly butt one length of cover to the next. Critical linear and vertical tolerances are eliminated because telescopic assembly absorbs misalignment that might result from uneven floors and walls.

See pages 4-5 for description of features

Multi/Pak 90 Series two-piece fin-tube enclosure. The modern choice in commercial radiation.

- Available as a "stock item".
- Factory packaging protects the cover until ready to install.
- Easy to install. Easy to service.
- Precut lengths, telescopic accessories, speed installations.
- Nu-White baked enamel finish.



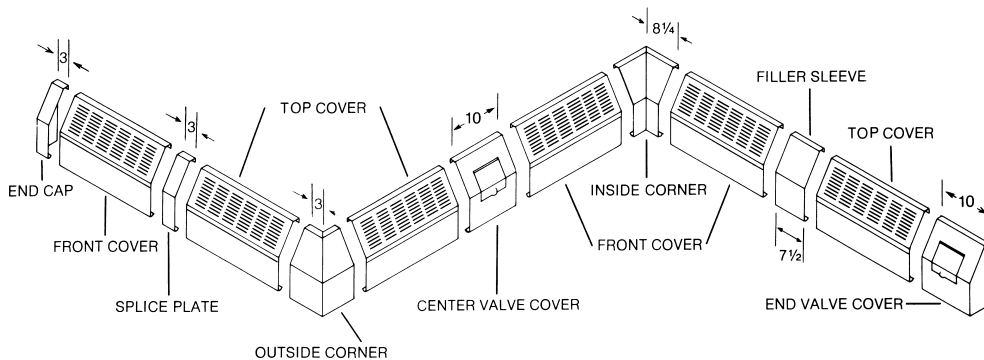
RATINGS

with or without dampers

| Cover Type | Enclosure Height | Element Type | Tube Size and Material | Fin Size and Material | Fins Per Foot | Steam 1 PSI * Btu/Hr. Per Foot | HOT WATER RATINGS* | | | | | | | |
|------------------------------|------------------|--------------|------------------------|-----------------------|---------------|--------------------------------------|------------------------------------|--------|--------|--------|--------|--------|--------|--------|
| | | | | | | | BTU/HR./FT. (Flow Rate 3 Ft./Sec.) | | | | | | | |
| | | | | | | | 150° F | 160° F | 170° F | 180° F | 190° F | 200° F | 210° F | 220° F |
| 90-14 | 14" | S-532 | 1¼" steel | 4¼" steel | 32 | 1380 | 621 | 731 | 842 | 952 | 1076 | 1187 | 1311 | 1449 |
| | | S-540 | 1¼" steel | 4¼" steel | 40 | 1550 | 698 | 822 | 946 | 1070 | 1209 | 1333 | 1473 | 1628 |
| | | S-832 | 2" steel | 4¼" steel | 32 | 1400 | 630 | 742 | 854 | 966 | 1092 | 1204 | 1330 | 1470 |
| | | C-340 | ¾" copper | 4¼" alum. | 40 | 1839 | 828 | 975 | 1122 | 1269 | 1435 | 1582 | 1748 | 1932 |
| | | C-440 | 1" copper | 4¼" alum. | 40 | 1950 | 878 | 1034 | 1190 | 1346 | 1521 | 1677 | 1853 | 2048 |
| | | C-540 | 1¼" copper | 4¼" alum. | 40 | 1910 | 860 | 1012 | 1165 | 1318 | 1490 | 1643 | 1815 | 2006 |
| 90-21 | 21" | S-532 | 1¼" steel | 4¼" steel | 32 | 1460 | 657 | 774 | 891 | 1007 | 1139 | 1256 | 1387 | 1533 |
| | | S-540 | 1¼" steel | 4¼" steel | 40 | 1680 | 756 | 890 | 1025 | 1159 | 1310 | 1445 | 1596 | 1764 |
| | | S-832 | 2" steel | 4¼" steel | 32 | 1520 | 684 | 806 | 927 | 1049 | 1186 | 1307 | 1444 | 1596 |
| | | C-340 | ¾" copper | 4¼" alum. | 40 | 2013 | 906 | 1067 | 1228 | 1389 | 1570 | 1731 | 1895 | 2114 |
| | | C-440 | 1" copper | 4¼" alum. | 40 | 2130 | 959 | 1129 | 1299 | 1470 | 1661 | 1832 | 2024 | 2237 |
| | | C-540 | 1¼" copper | 4¼" alum. | 40 | 2090 | 941 | 1108 | 1275 | 1442 | 1630 | 1797 | 1986 | 2195 |
| 90-21 Two-tier element | 21" | S-532 | 1¼" steel | 4¼" steel | 32 | 2190 | 986 | 1161 | 1336 | 1511 | 1708 | 1883 | 2081 | 2300 |
| | | S-540 | 1¼" steel | 4¼" steel | 40 | 2380 | 1071 | 1261 | 1452 | 1642 | 1856 | 2047 | 2261 | 2499 |
| | | S-832 | 2" steel | 4¼" steel | 32 | 2270 | 1022 | 1203 | 1385 | 1566 | 1771 | 1952 | 2157 | 2384 |
| | | C-340 | ¾" copper | 4¼" alum. | 40 | 2822 | 1270 | 1496 | 1721 | 1947 | 2200 | 2427 | 2681 | 2963 |
| | | C-440 | 1" copper | 4¼" alum. | 40 | 2990 | 1346 | 1585 | 1824 | 2063 | 2332 | 2571 | 2841 | 3140 |
| | | C-540 | 1¼" copper | 4¼" alum. | 40 | 2930 | 1319 | 1553 | 1787 | 2022 | 2285 | 2520 | 2784 | 3077 |

*Based on 65° F entering air temperature.
For ratings at lower water temperatures, refer to conversion table on page 33

ACCESSORIES



Fourteen accessories let you "fit" Multi/Pak 90 in virtually any space configuration - fast and easily. External cover accessories are all telescopic. They snap in place without screws or other fasteners. All accessories, unless noted, are finished in Nu-White baked enamel. Custom color available on special order.

non-telescopic accessories

Column cover set
Damper (electro galvanized, not available with aluminum grille)*
Damper, field installed
Hanging strip*

*See p.5 for details

Back panel (electro galvanized)
Tamper-proof lock*
Wall gasketing*



Internal Splice Plate for 90-14 and 90-21

Cover sections butt to each other with a nearly seamless fit using the internal splice plate, optional for Multi/Pak 90 slope top enclosures. Eliminates need for an external splice plate.

telescopic accessories



End Cap
End Cap-slotted
(not shown)



Splice plate



Filler sleeve



Center valve cover



Inside corner, 90°



Outside corner, 90°



End valve cover, slotted, 10°
End valve cover, 10°
(not shown)

Access doors: 6" x 6"