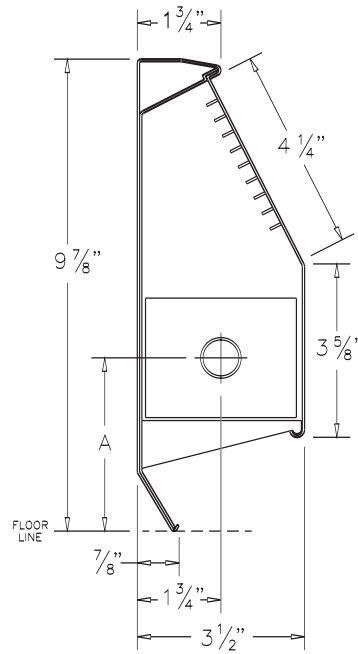




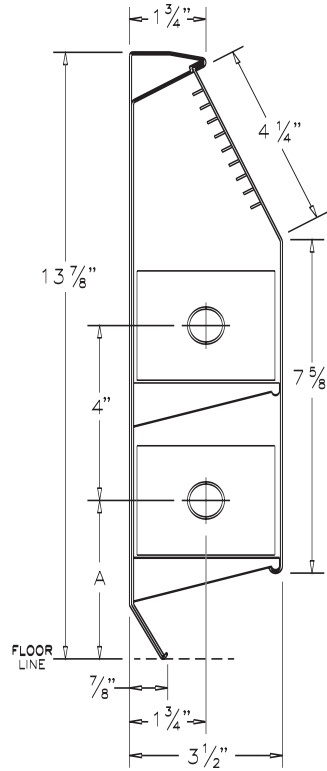
DIMENSIONS – LT. COMMERCIAL BASEBOARD

350 SERIES

Model	Element	"A"
351	H-1	3 15/16"
353	H-3	3 5/8"
354	H-4	3 5/8"
355	H-5x	3 15/16"
356	H-6x	3 15/16"



350-10



350-14

