



SUBMITTAL SHEET

CHS-85 thru CHS-399

HIGH EFFICIENCY GAS MODULATING CONDENSING BOILER

Project Name: _____

Location: _____

Engineer: _____

Contractor: _____

General Specifications:

Product Features

- Certified to ANSI Z 21.13 / CSA 4.9 Gas-fired boiler standard (pending)
- ASME "H" stamped boiler, designed and constructed in compliance with the ASME Boiler and Pressure Vessel Code Section IV.
- Maximum operating pressure 30 psi – (80 psi CHS-300 - CHS-399)
- Automatic reset low water cutoff – factory installed
- Field conversion from Natural Gas (factory) to propane
- Modulating burner, 5:1 turndown
- Direct Spark Ignition
- Wall (standard) or floor mounting (w/opt. kit, part #818171)
- Zero clearance to combustibles
- **Optional sidewall vent kit**

Factory Supplied Items

- 10K thermal outdoor sensor
- 30 psi ASME relief valve (50 & 75 psi option on CHS-300 & CHS-399)
- Pressure Gauge

Control Features

- Integral microprocessor safety control
- 2 central heat inputs (high & low control)
- Domestic Hot Water Priority
- Outdoor reset
- Warm weather shutdown
- Lead-Lag up to 8 CHS boilers

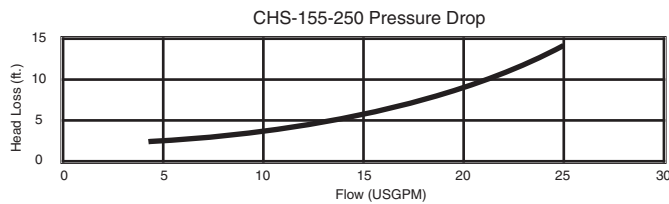
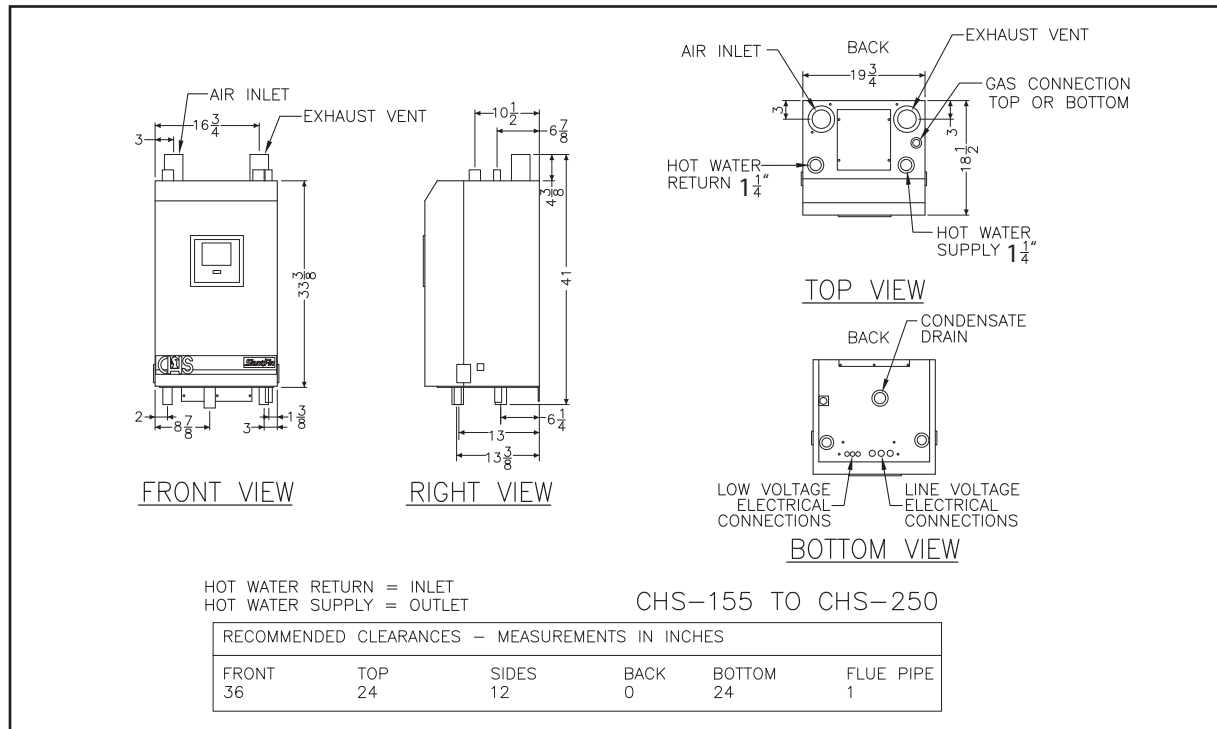
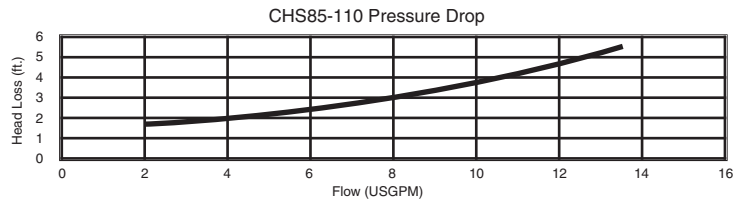
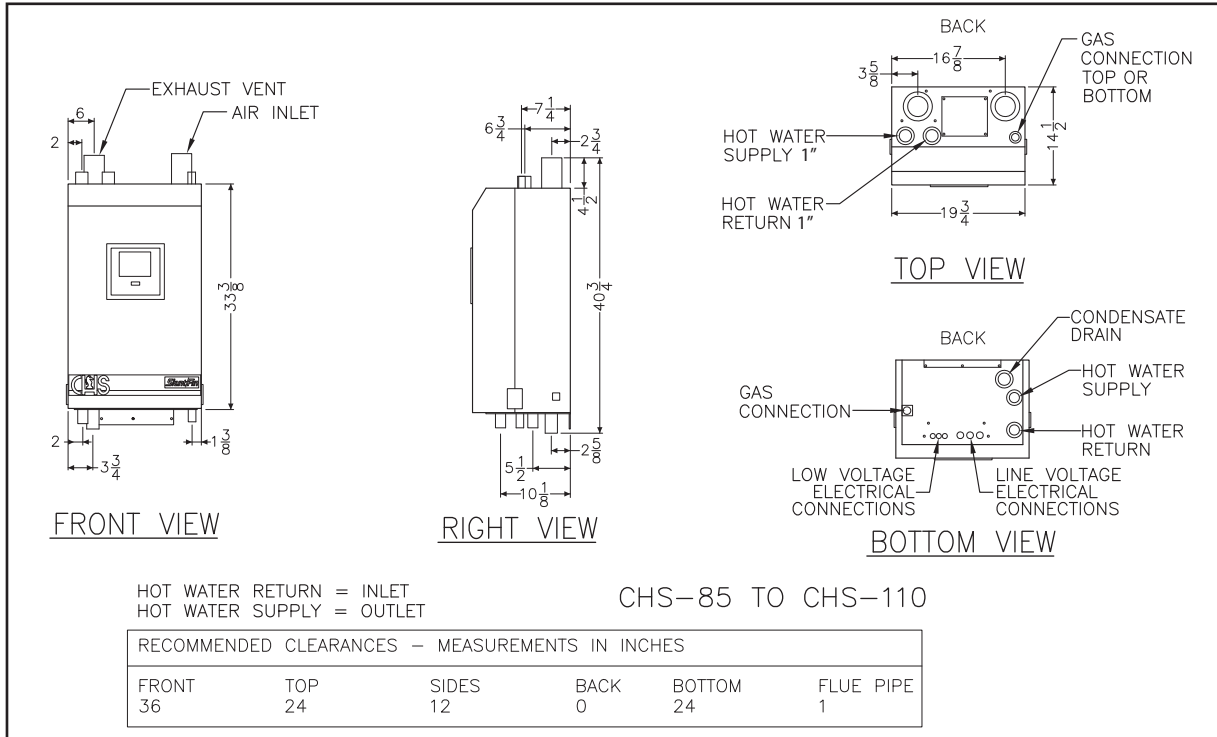
Ratings:

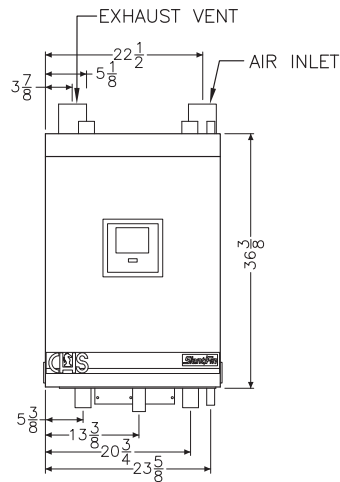
Quantity	Input NG/L.P. (MBH)			Heating Capacity BTU/hr (MBH)	AHRI Net Rating BTU/hr (MBH)	AFUE %
	Model	Min BTU/hr	Max BTU/hr			
	CHS-85	17/17.6	85/88	78	68	95.0
	CHS-110	21.6/22.6	108/113	99	86	95.0
	CHS-155	31	155	144	125	95.0
	CHS-175	31	175	163	141	95.0
	CHS-200	31	200	185	160	95.0
	CHS-250	31	250	230	199	95.0
	CHS-300	79.8	299	278	239	94.0
	CHS-399	79.8	399	380 [†]	330	95.4*

[†] Gross output * Thermal Efficiency

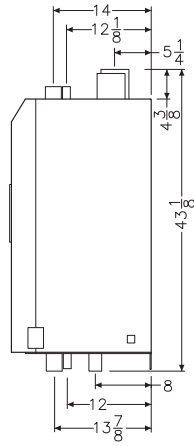
Water, Gas, Air-Take/Exhaust & Approximate Weight

Model	Water Connection NPT in	Gas Connection NPT in	Vent/Air-Intake Pipe Dia. in	Vent /Air Inlet Max Length Ft., NG/LP			Approx. Wt w/water lb.
				2 in. venting	3 in. venting	4 in. venting	
CHS-85	1	1/2	2 or 3	100/35	150/150	N/A	110
CHS-110	1	1/2	2 or 3	100/25	150/150	N/A	110
CHS-155	1 1/4	1/2	3	N/A	100	N/A	180
CHS-175	1 1/4	1/2	3	N/A	100	N/A	180
CHS-200	1 1/4	1/2	3	N/A	100	N/A	180
CHS-250	1 1/4	1/2	3	N/A	100	N/A	180
CHS-300	1 1/2	3/4	4	N/A	N/A	100	250
CHS-399	1 1/2	3/4	4	N/A	N/A	100	250

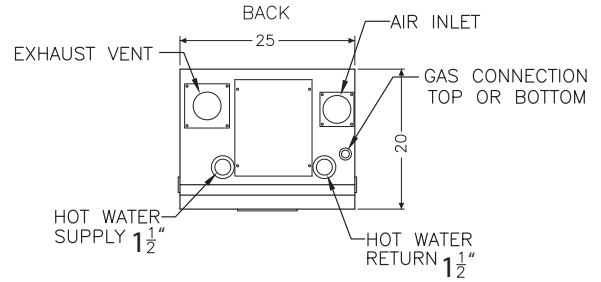




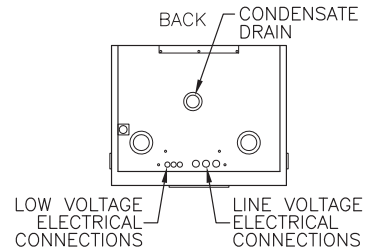
FRONT VIEW



RIGHT VIEW



TOP VIEW

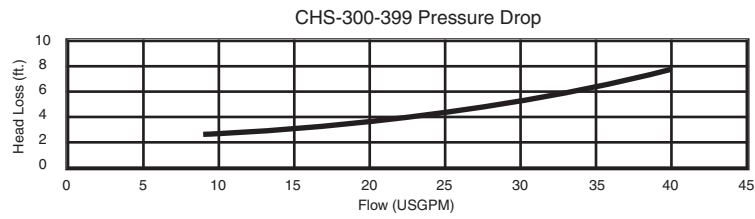


BOTTOM VIEW

HOT WATER RETURN = INLET
HOT WATER SUPPLY = OUTLET

CHS-300 TO CHS-399

RECOMMENDED CLEARANCES - MEASUREMENTS IN INCHES					
FRONT	TOP	SIDES	BACK	BOTTOM	FLUE PIPE
36	24	12	0	24	1



Simplified Wiring Diagrams

