



CHS-85 thru CHS-399
HIGH EFFICIENCY GAS MODULATING CONDENSING BOILER

SUBMITTAL SHEET



Project Name: _____

Location: _____

Engineer: _____

Contractor: _____

General Specifications:

Product Features

- Certified to ANSI Z 21.13 / CSA 4.9 Gas-fired boiler standard (pending)
- ASME "H" stamped boiler, designed and constructed in compliance with the ASME Boiler and Pressure Vessel Code Section IV.
- Maximum operating pressure 30 psi – (80 psi CHS-175 through CHS-399)
- Automatic reset low water cutoff – factory installed
- Field conversion from Natural Gas (factory) to propane
- Modulating burner with up to 10:1 turndown (CHS-399 & CHS-340 10:1; CHS-285 10:1; CHS-201 10:1; CHS-175 5.6:1; CHS-110 & CHS-85 5:1)
- Direct Spark Ignition
- Wall (standard) or floor mounting (w/opt. kit, part #818171)
- Zero clearance to combustibles
- **Optional sidewall vent kit**
- **Optional 2 & 3 boiler common venting for CHS-340 & CHS-399**

Factory Supplied Items

- 10K thermal outdoor sensor
- 30 psi ASME relief valve (50 & 75 psi option on CHS-300 & CHS-399)
- Pressure Gauge

Control Features

- Integral microprocessor safety control
- 2 central heat inputs (high & low control)
- Domestic Hot Water Priority
- Outdoor reset
- Warm weather shutdown
- Lead-Lag up to 8 CHS boilers

Ratings:

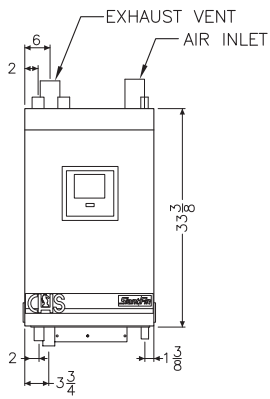
Quantity	Input NG/L.P. (MBH)			Heating Capacity BTU/hr (MBH)	AHRI Net Rating BTU/hr (MBH)	AFUE %
	Model	Min BTU/hr	Max BTU/hr			
	CHS-85	17/17.6	85/88	78	68	95.0
	CHS-110	21.6/22.6	108/113	99	86	95.0
	CHS-154	15.4	154	141	123	95.0
	CHS-175	31	175	163	142	95.0
	CHS-201	20	200	185	161	95.0
	CHS-285	28.5	285	263	229	95.0
	CHS-340	39.9	340	324 [†]	282	95.4*
	CHS-399	39.9	399	380 [†]	330	95.4*

[†] Gross output * Thermal Efficiency

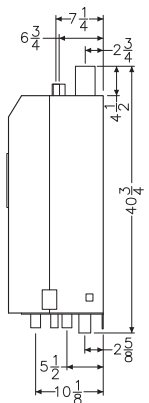
Water, Gas, Air-Take/Exhaust & Approximate Weight

Model	Water Connection NPT in	Gas Connection NPT in	Vent/Air-Intake Pipe Dia. in	Vent /Air Inlet Max Length Ft., NG/LP			Approx. Wt w/water lb.
				2 in. venting	3 in. venting	4 in. venting	
CHS-85	1	1/2	3	100/35*	100	N/A	110
CHS-110	1	1/2	3	100/25*	100	N/A	110
CHS-154	1	1/2	3	N/A	150	N/A	160
CHS-175	1 1/4	1/2	3	N/A	100	N/A	180
CHS-201	1 1/4	1/2	3	N/A	150	N/A	180
CHS-285	1 1/4	3/4	3	N/A	150	N/A	180
CHS-340	1 1/2	3/4	4	N/A	N/A	100	250
CHS-399	1 1/2	3/4	4	N/A	N/A	100	250

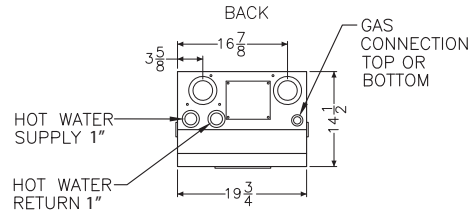
* LP



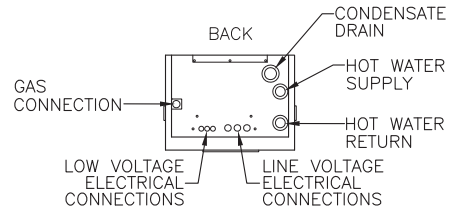
FRONT VIEW



RIGHT VIEW



TOP VIEW



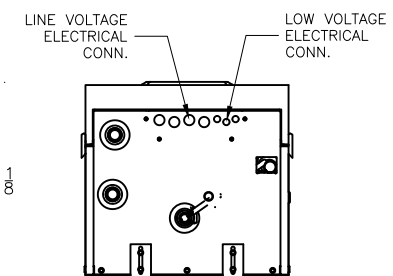
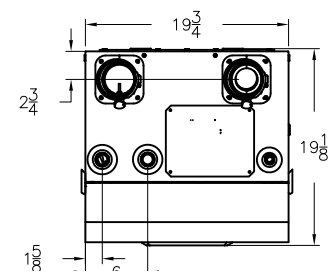
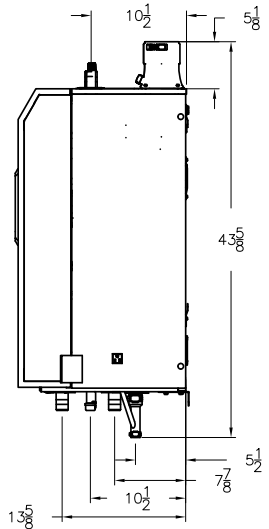
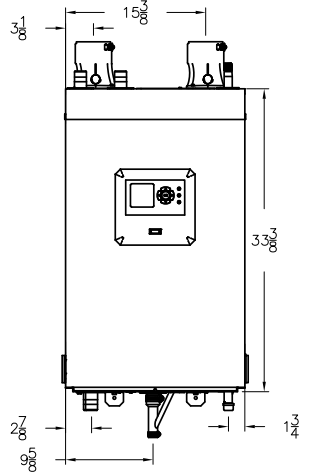
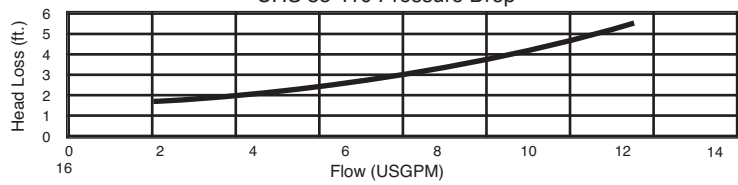
BOTTOM VIEW

HOT WATER RETURN = INLET
HOT WATER SUPPLY = OUTLET

CHS-85 TO CHS-110

RECOMMENDED CLEARANCES - MEASUREMENTS IN INCHES					
FRONT	TOP	SIDES	BACK	BOTTOM	FLUE PIPE
36	24	12	0	24	1

CHS 85-110 Pressure Drop

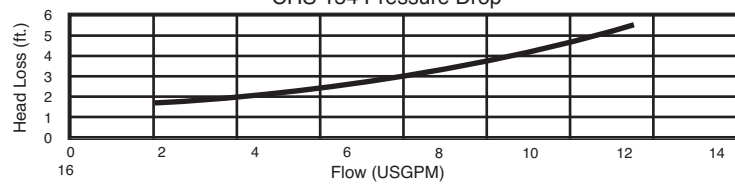


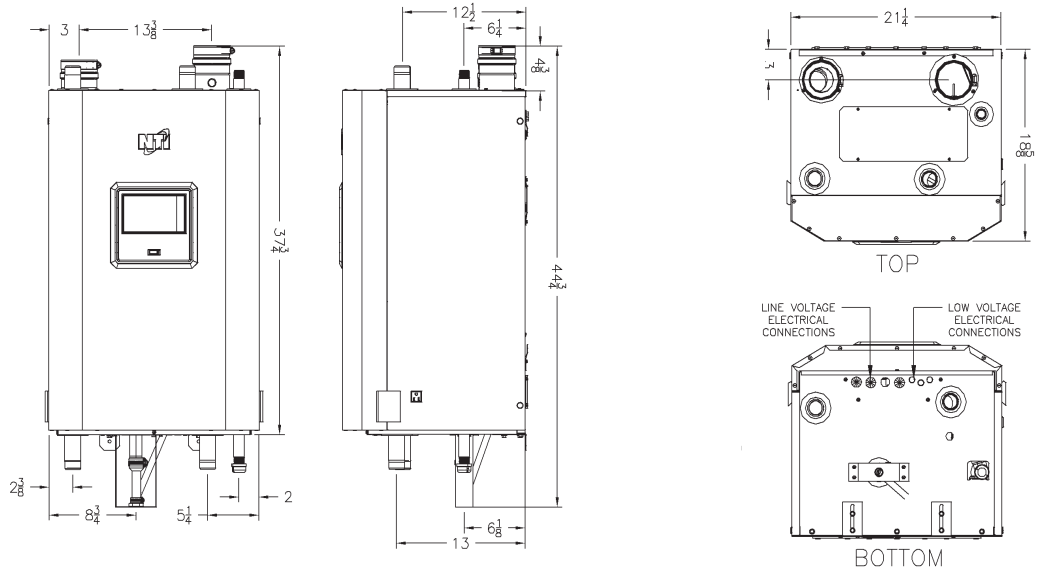
HOT WATER RETURN = INLET
HOT WATER SUPPLY = OUTLET

CHS-154

RECOMMENDED CLEARANCES - MEASUREMENTS IN INCHES					
FRONT	TOP	SIDES	BACK	BOTTOM	FLUE PIPE
36	24	12	0	24	1

CHS 154 Pressure Drop

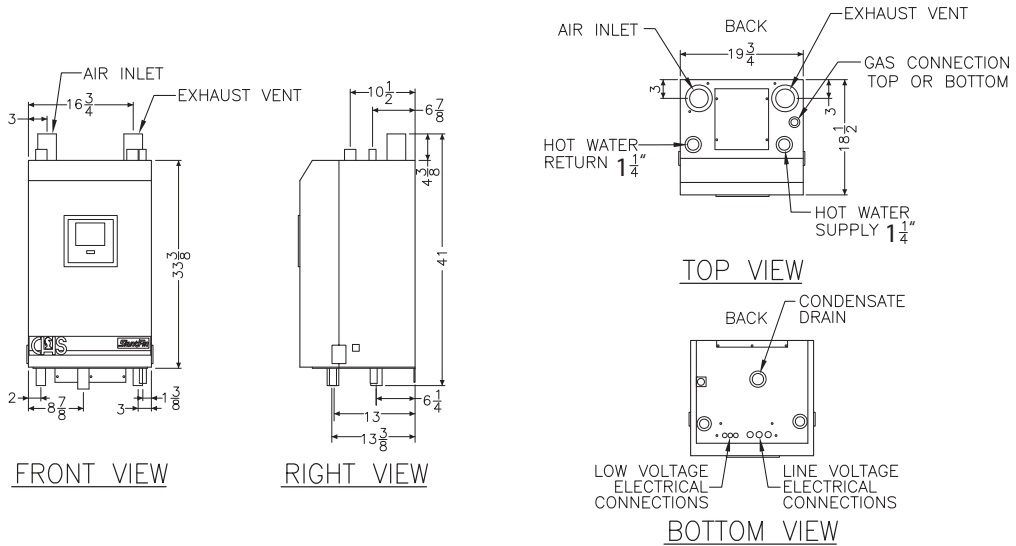
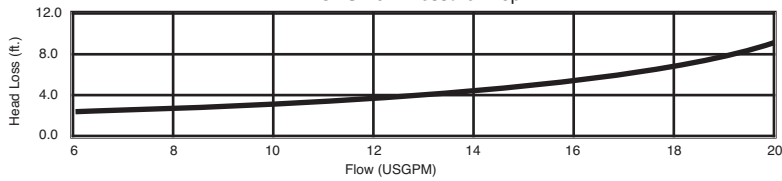




Recommended Clearances – in. [mm]

Front	Top	Sides	Back	Bottom	Flue Pipe
36 [914]	24 [610]	12 [305]	0	24 [610]	1 [25]

CHS-201 Pressure Drop

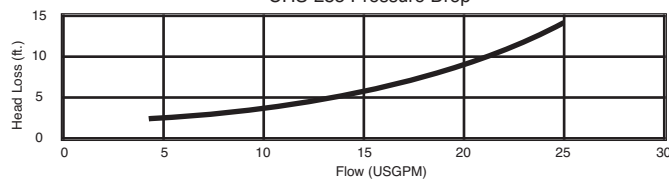


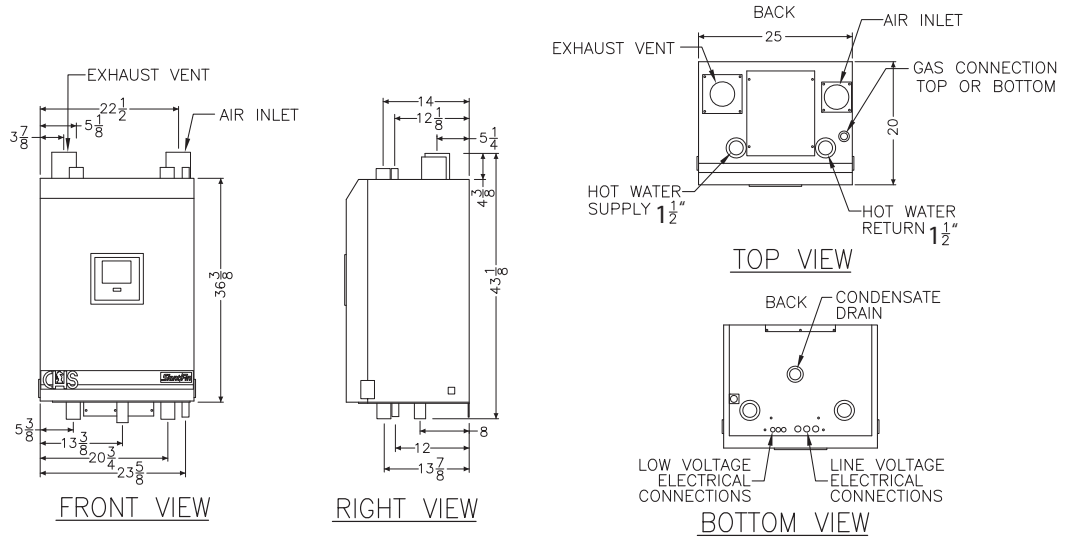
HOT WATER RETURN = INLET
HOT WATER SUPPLY = OUTLET

CHS-285

RECOMMENDED CLEARANCES – MEASUREMENTS IN INCHES					
FRONT	TOP	SIDES	BACK	BOTTOM	FLUE PIPE
36	24	12	0	24	1

CHS-285 Pressure Drop

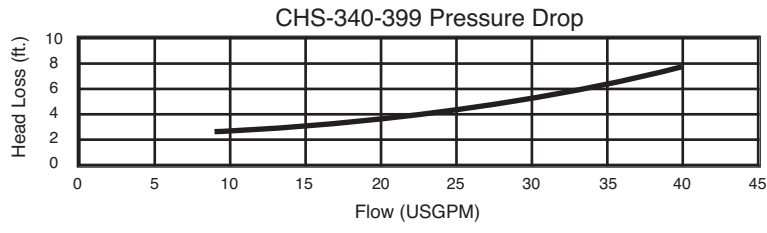




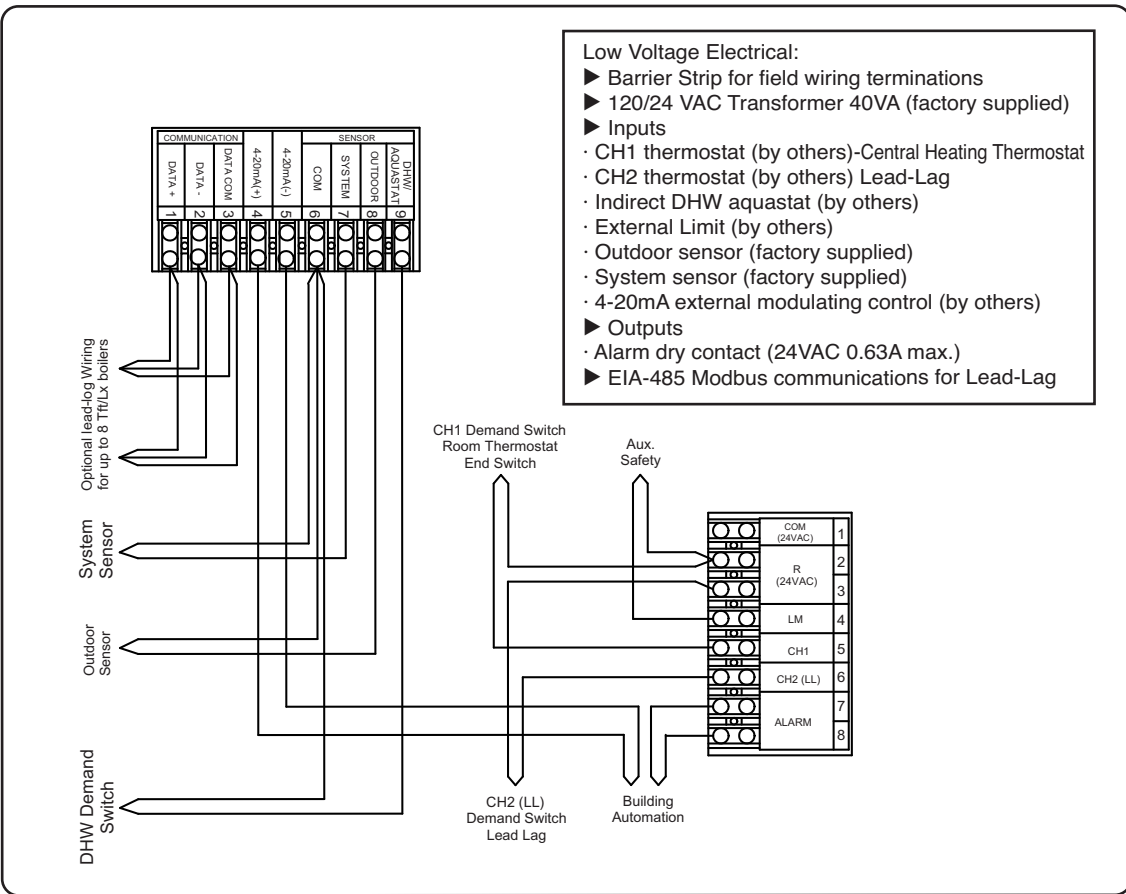
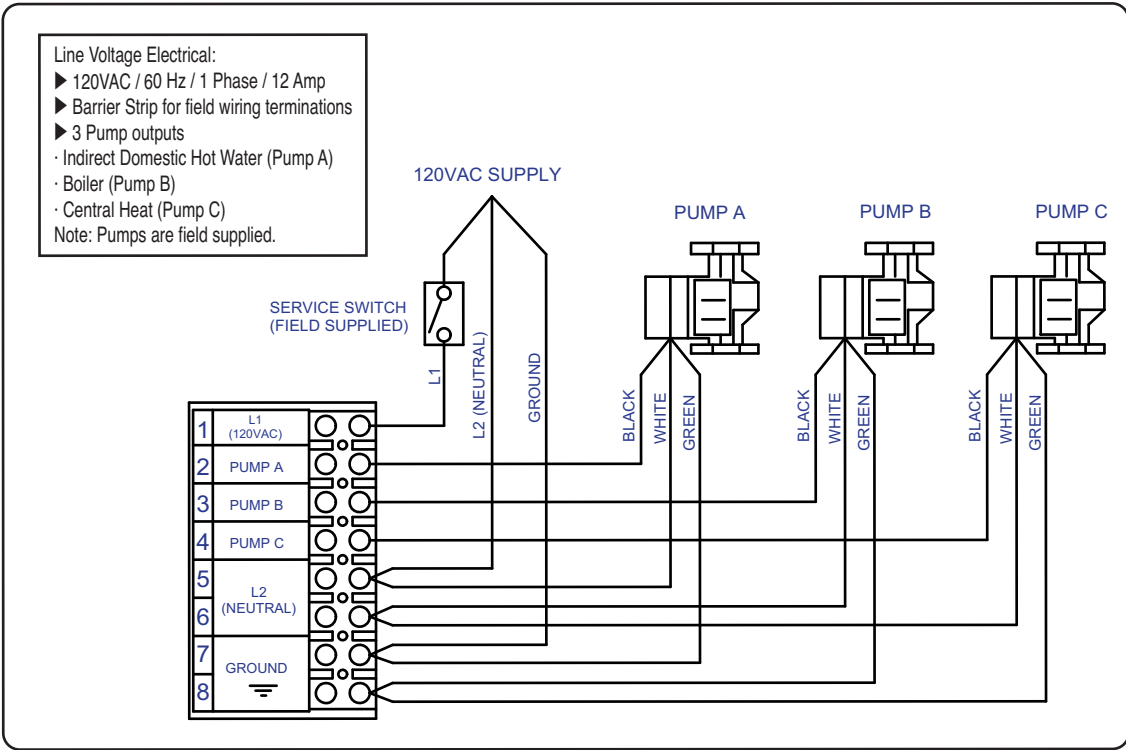
HOT WATER RETURN = INLET
 HOT WATER SUPPLY = OUTLET

CHS-340 TO CHS-399

RECOMMENDED CLEARANCES - MEASUREMENTS IN INCHES					
FRONT	TOP	SIDES	BACK	BOTTOM	FLUE PIPE
36	24	12	0	24	1



Simplified Wiring Diagrams





©Slant/Fin Corp. 2020 • Printed in the U.S.A. 720 • Publication No. CHS-10SD

SLANT/FIN CORPORATION, Greenvale, NY 11548 • Phone: (516) 484-2600
FAX: (516) 484-5921 www.slantfin.com

