

Slant/Fin® MiniTRON



Electric Hot Water Boiler

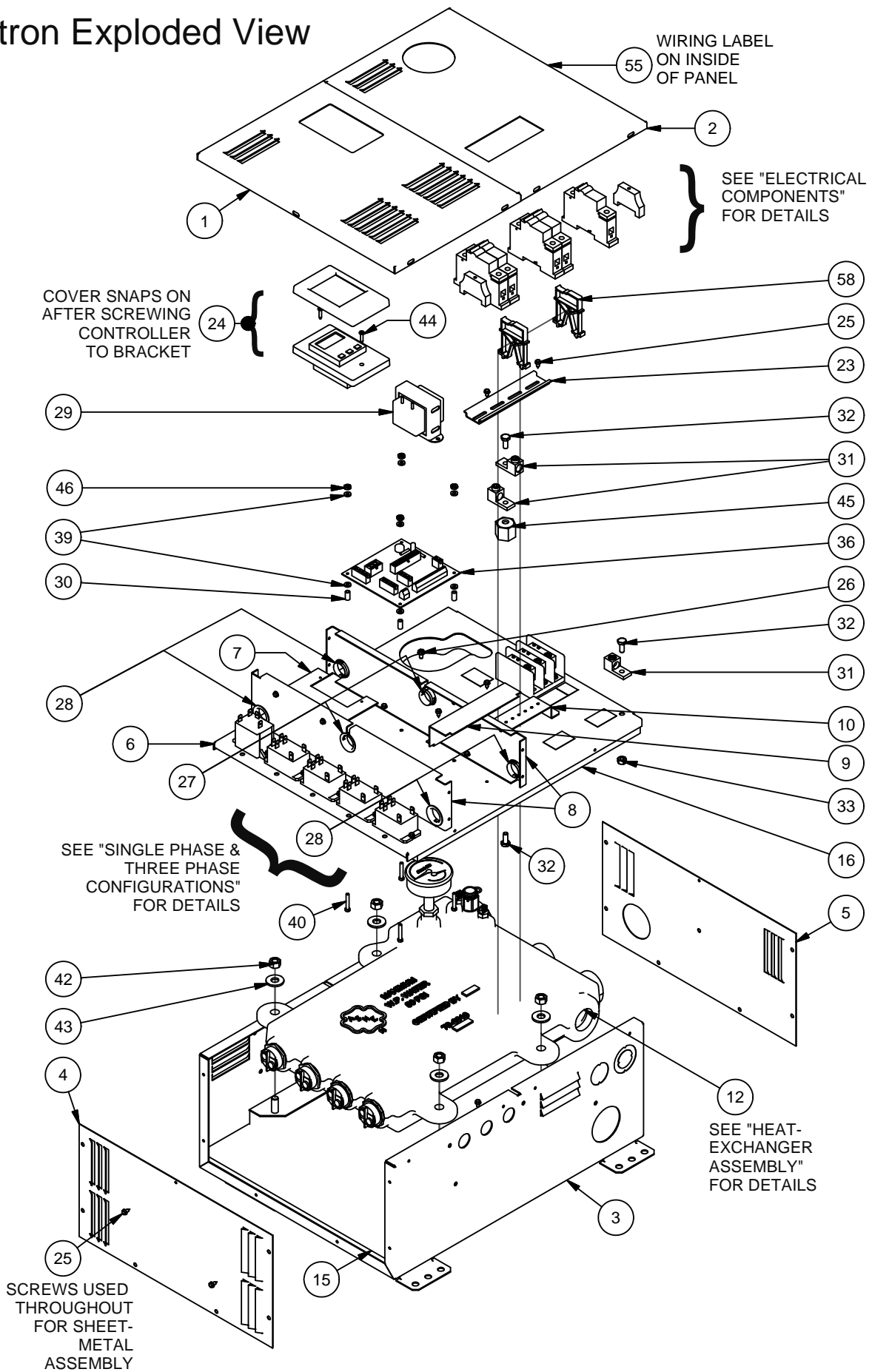
Boiler Replacement Parts List

This parts list must be left with owner, hung on or adjacent to the boiler. Owner should retain parts list for future reference.

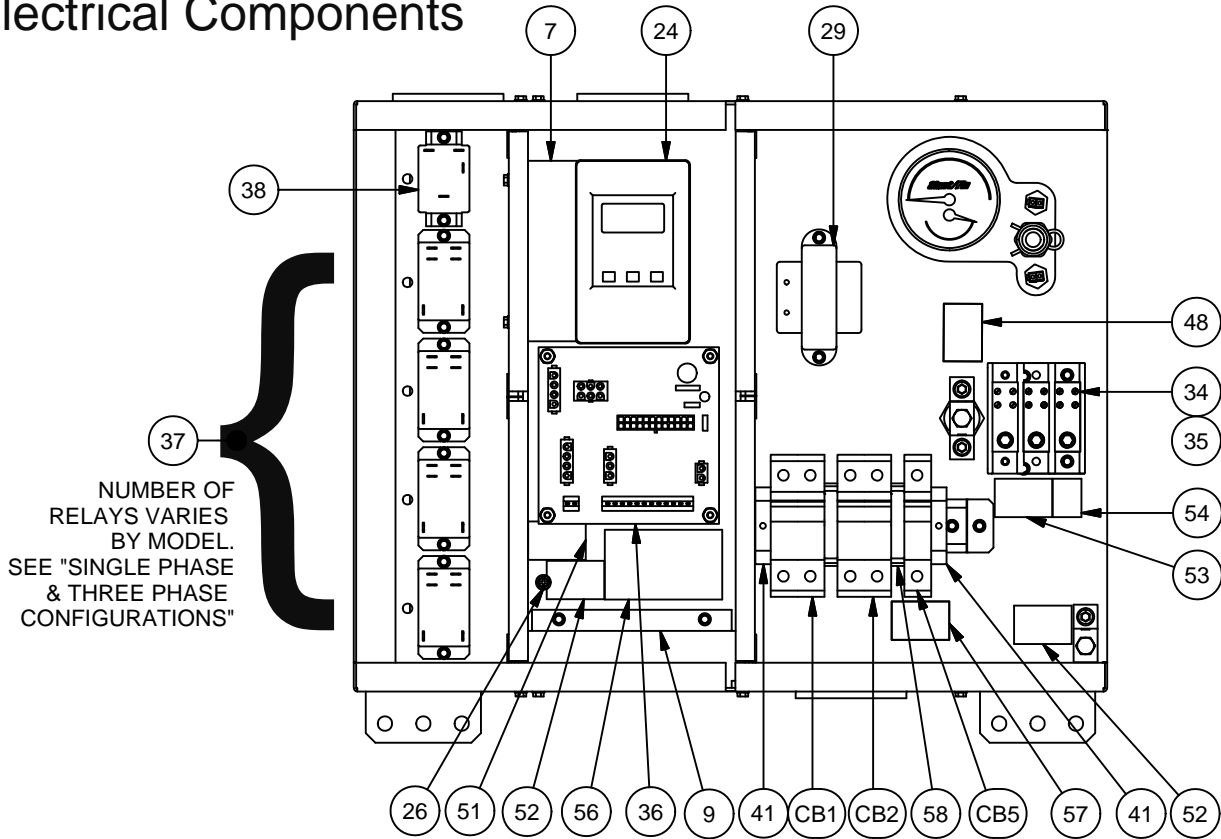
Item No.	Description	Part No.
1	CONTROL BOX COVER (MINITRON)	790739000
2	CIRCUIT BREAKER COVER (MINITRON)	790740000
3	WRAPPER (MINITRON)	790722000
4	LEFT END PLATE (MINITRON)	790734000
5	RIGHT END PLATE (MINITRON)	790735000
6	CENTER PARTITION (MINITRON)	790731000
7	OPERATING CONTROL BRACKET (MONITRON II/ MINITRON)	790030000
8	RELAY & SERVICE PARTITION (MINITRON)	790726000
9	POWER ISOLATING COVER	790038000
10	CIRCUIT BREAKER BRACKET	790062000
11	WALL BRACKET	790736000
12	MINITRON ELECTRIC BOILER CASTING	796010000
13	HEATER ELEMENT 4kW 240V	790304000
14	HEATER ELEMENT 5kW 240V	790305000
15	INSULATION (WRAPPER)	790723000
16	INSULATION (CENTER PARTITION)	790732000
17	HIGH LIMIT CONTROL	790398000
18	TRIDICATOR	910373061
19	REDUCING BUSHING 1/2 x 1/4 (BL.MALLEABLE)	902179051
20	BLANK SCREW PLUG	790306000
21	PLUG 3/4 NPT COUNTERSUNK HEAD STEEL	460517000
22	1/2" PLUG-SQUARE HEAD	902342011
23	DIN RAIL	790221000
24	TEKMAR CONTROLLER	475041000
25	SCREW # 8x3/8 HEX WASHER ZINK PLATE TYPE B	790834000
26	GROUND SCREW 10-32 X 3/8 GREEN GND	650666000
27	1.093 DIA OPEN/CLOSED SNAP BUSHING	790283000
28	1 1/8" DIA HOLE SNAP BUSHING	500373000
29	TRANSFORMER HONEYWELL AT-140B1297	660528000
30	ROUND SPACER	790222000
31	SOLDERLESS LUG	790280000
32	HEX HEAD CAP SCREW 1/4-20 x 5/8 ZINC PLATED	790281000
33	NUT - 1/4-20 CENTERLOCK ZINC PLATED STEEL WAXED	790282000
34	MINI POWER DISTRIBUTION BLOCK 3-PHASE 3-POLE 195A(UL)	790387003
35	MINI POWER DISTRIBUTION BLOCK SINGLE PHASE 2-POLE 195A(UL)	790387002
36	MONITRON II/ MINITRON INTERFACE BOARD	791036000
37	POWER RELAY	790391000
38	RELAY SINGLE POLE NORMALLY OPEN	440543000
39	WASHER ID.173 O.D..375 x .07 NYLON	790223000
40	MACHINE SCREW 8-32 x 1" HEX HEAD ZINC PLATED	790225000
41	END STOP FOR DIN RAIL	790402000
42	NUT HEX HEAD 3/8-16 x 9/16 ACROSS FLAT x 21/64 THICK	400145000
43	WASHER 1/4 SAE-9/32 x 5/8	909783071
44	SCREW 6 X 3/8 ZINC PLATED, PHILLIPS PAN HEAD, THREAD CUTTING	910408000
45	STANDOFF INSULATOR 1" (1/4-20 x 5/16)	790266000
46	HEX NUT 8-32 ZINC PLATTED	650668000
47	"TOP" LABEL	790844000
48	"NEUTRAL" LABEL	790845000
49	"UL" LABEL	790802000
50	"RATING PLATE" LABEL	790809000
51	"CIRCULATOR PUMP" LABEL	790842000
52	"GROUND" LABEL	790846000
53	"L1, L2" LABEL	790849000
54	"L3" LABEL (3-PHASE MODELS ONLY)	790851000
55	WIRING LABEL	VARIES
56	"INTERFACE BOARD WIRING" LABEL	791080000
57	"CONTROL" LABEL	790853000
58	COOLING SPACER - ALTECH HDS HALF POLE	790405000
59	IMMERSION WELL 1/2" NPT X 1.5"	790100000
60	H-CLIP WIRE RETAINER FOR IMMERSION WELL	790119000
61	UNIVERSAL SENSOR 071 (96")	790400000

When ordering replacement parts: specify the model number and serial number.
For replacement parts, heating contractors should contact their Slant/Fin boiler distributor.

Minitron Exploded View



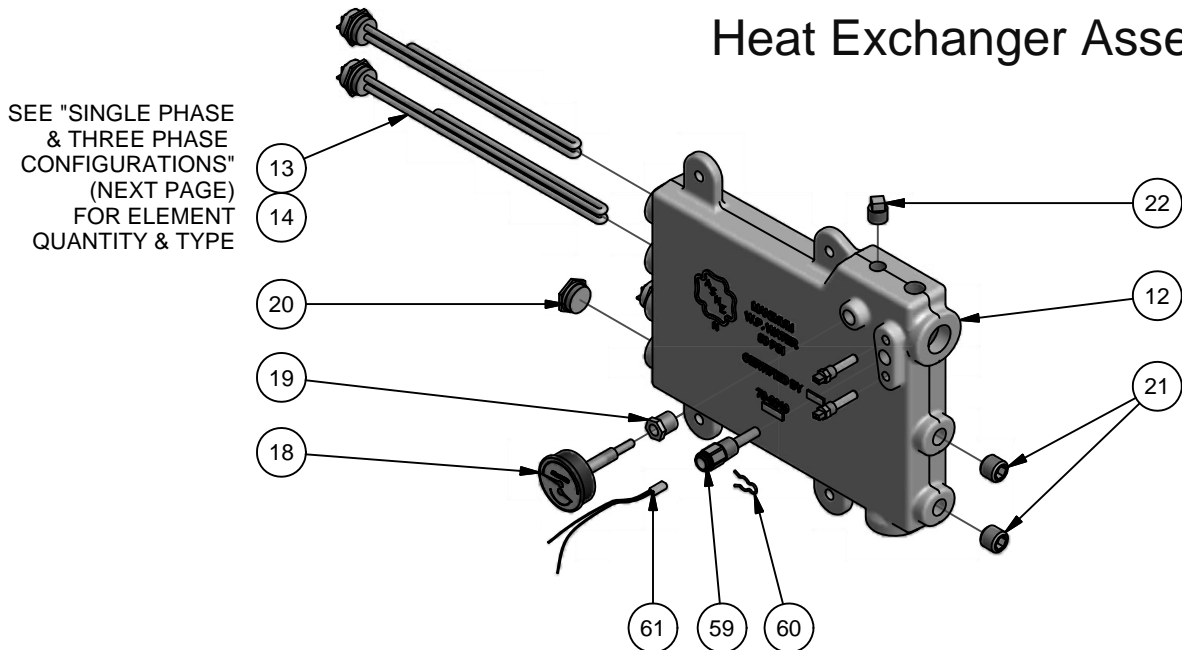
Electrical Components



BREAKER PART NOS. FOR CB1, CB2 & CB5*		
AMPS	PART NO.	DESCRIPTION
10	790392000	Circuit Breaker B-Trip 10A UL1077 DIN Rail Mount (Altech 1BU10R)
20	790389000	Circuit Breaker B-Trip 20A UL1077 DIN Rail Mount (Altech 2BU20R)
25	790393000	Circuit Breaker B-Trip 25A UL1077 DIN Rail Mount (Altech 2BU25R)
30	790394000	Circuit Breaker B-Trip 30A UL1077 DIN Rail Mount (Altech 2BU30R)
40	790399000	Circuit Breaker B-Trip 40A UL1077 DIN Rail Mount (Altech 2BU40R)
50	790395000	Circuit Breaker B-Trip 50A UL1077 DIN Rail Mount (Altech 2BU50R)
60	790396000	Circuit Breaker B-Trip 60A UL1077 DIN Rail Mount (Altech 2BU60R)

*SEE TABLES ON "SINGLE PHASE & THREE PHASE CONFIGURATIONS" PAGE FOR BREAKER AMP RATINGS BY MODEL

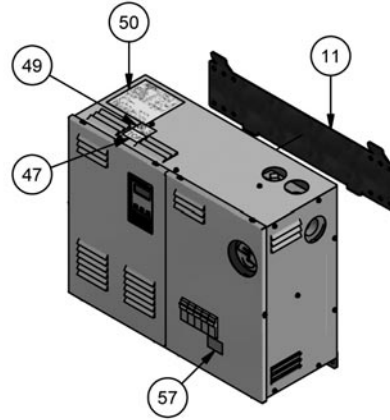
Heat Exchanger Assembly



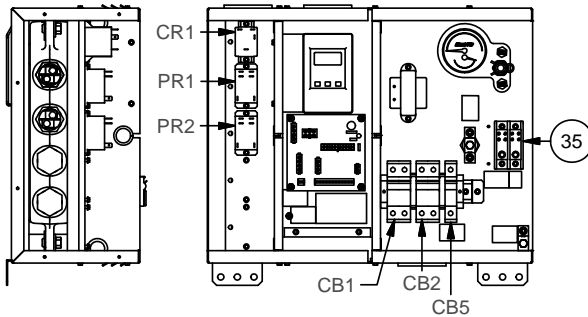
Single Phase & Three Phase Configurations

BREAKERS & ELEMENTS 120/240V MODELS					
Model	Type	Elements*	CB1	CB2	CB5
EH8-13-4-M3	1P2E	2 x 4kW	25A	25A	10A
EH10-13-4-M3	1P2E	2 x 5kW	30A	30A	10A
EH12-13-4-M3	1P3E	3 x 4kW	50A	25A	10A
EH16-13-4-M3	1P4E	4 x 4kW	50A	50A	10A
EH20-13-4-M3	1P4E	4 x 5kW	60A	60A	10A
EH12-34-4-M3	3P3E	3 x 4kW	50A	25A	10A
EH16-34-4-M3	3P4E	4 x 4kW	50A	50A	10A
EH20-34-4-M3	3P4E	4 x 5kW	60A	60A	10A

*kW values are 240V ratings



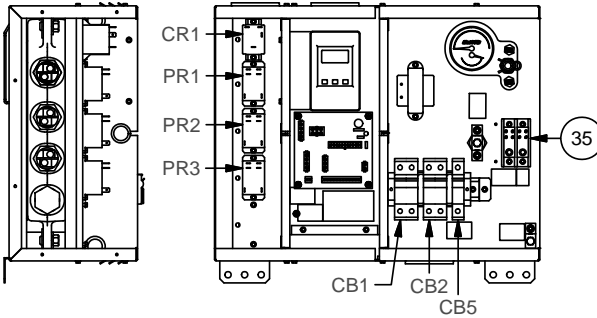
SINGLE PHASE 2-ELEMENT BOILER (1P2E)



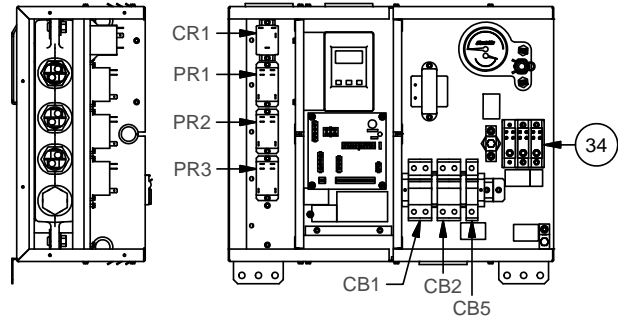
BREAKERS & ELEMENTS 120/208V MODELS					
Model	Type	Elements*	CB1	CB2	CB5
EH8-13-8-M3	1P2E	2 x 4kW	20A	20A	10A
EH10-13-8-M3	1P2E	2 x 5kW	25A	25A	10A
EH12-13-8-M3	1P3E	3 x 4kW	40A	20A	10A
EH16-13-8-M3	1P4E	4 x 4kW	40A	40A	10A
EH20-13-8-M3	1P4E	4 x 5kW	50A	50A	10A
EH12-34-8-M3	3P3E	3 x 4kW	40A	20A	10A
EH16-34-8-M3	3P4E	4 x 4kW	40A	40A	10A
EH20-34-8-M3	3P4E	4 x 5kW	50A	50A	10A

*kW values are 240V ratings

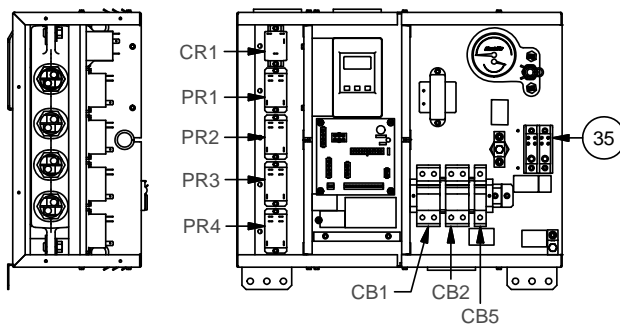
SINGLE PHASE 3-ELEMENT BOILER (1P3E)



THREE PHASE 3-ELEMENT BOILER (3P3E)



SINGLE PHASE 4-ELEMENT BOILER (1P4E)



THREE PHASE 4-ELEMENT BOILER (3P4E)

