

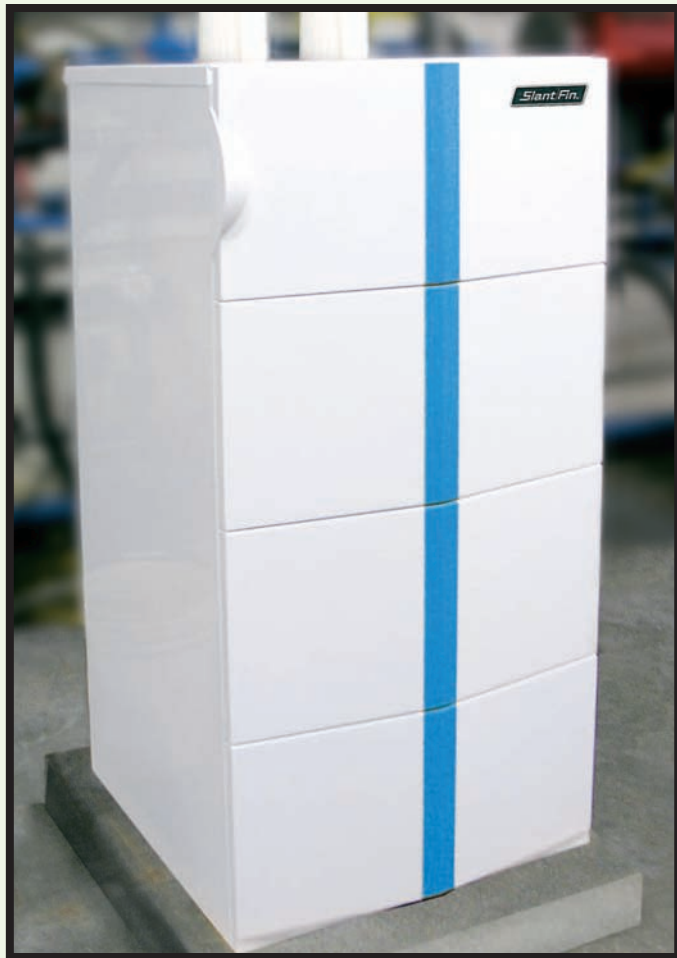
# Slant/Fin®

# JAGUAR

DOE  
SEPT. 2012  
COMPLIANT

High performance condensing gas boiler for large applications

**The new generation modulating, condensing gas boiler is here!**



## **Better performance. Longer life.**

- Up to 96.7% efficiency
- Cast aluminum Mono Block heat exchanger
- 3.5:1 Modulation
- 110,000 to 390,000 Btuh input
- Floor standing
- Natural gas
- PVC, CPVC or stainless steel air intake and vent pipe—100' equivalent length
- Quiet operation
- Environmentally friendly—Low NOx
- Built-in digital control board with outdoor reset
- For single and multiple boiler applications
- Built-in cascading control for up to 8 boilers

### **Jaguar Model J-390C**

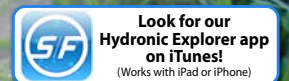
Only 53"H x 24"W x 26"D fits almost anywhere.  
Ideal for commercial modular boiler installations.

Compact, powerful and agile. Slant/Fin's new Jaguar sealed combustion gas boiler purrs with performance. Operates at up to 96.7% efficiency maximizing fuel savings. Compact, light weight for easy handling. Advanced design aluminum heat exchanger sets a new standard for reliability. You will be proud to offer the Jaguar to your customers looking for a high efficiency, advanced technology, long lasting boiler.

This new generation design incorporates a cast aluminum heat exchanger that is corrosion resistant. Its high thermal conductivity heats boiler water quickly.



[www.slantfin.com](http://www.slantfin.com)



*Slant/Fin*

# JAGUAR

**DOE  
SEPT. 2012  
COMPLIANT**

High performance condensing gas boiler for large applications

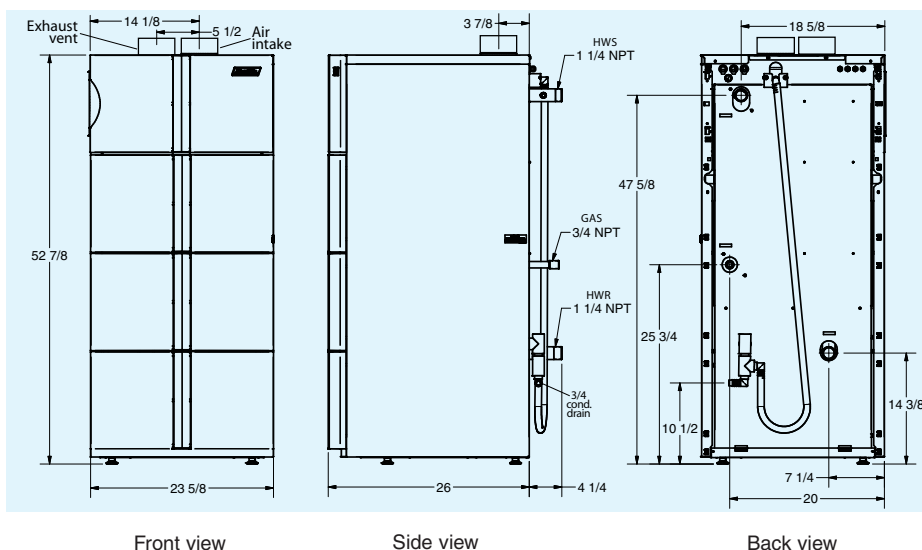
## Standard Equipment

Cast-aluminum mono-block heat exchanger  
Pre-assembled jacket  
Woven metal fiber pre-mix burner  
Blower, gas valve and venturi  
**Integrated boiler control with built-in diagnostics and display, Jaguar Link feature will cascade up to 8 modules; accepts modulating input 0-10 Vdc BMS**

Direct spark ignition system  
Pressure gauge  
Taco 2400-20 circulator – Boiler loop  
Drain cock  
Built-in condensate drain and trap  
Vent terminal  
Outdoor reset sensor  
**Pressure relief valve - 30 or 50 P.S.I**



## DIMENSIONS



- Cast aluminum alloy mono block heat exchanger.
- Designed for long life with minimal service.
- Honeywell negative regulated redundant gas valve.
- Honeywell Venturi and ebm-papst combustion blower.
- 50 PSI maximum working pressure-water.

## Minimum Alcove and Closet Clearance

	SURFACE					FLUE CONNECTOR:	
	FRONT	REAR	LEFT SIDE	RIGHT SIDE	TOP	Enclosed	Unenclosed
For combustible construction	0"	0"	0"	0"	4"	2"	1"
Recommended for service	24"	8"	0"	0"	6"	6"	6"



## Ratings and Specifications

MODEL NUMBER	INPUT MBH		GROSS OUTPUT MBH		NET AHRI		THERMAL EFFICIENCY %		COMBUSTION EFFICIENCY %		AIR INTAKE	EXHAUST VENT	WATER PIPING CONNECTIONS	GAS PIPING CONNECTIONS	DRY BOILER WEIGHT
	MIN	MAX	MIN	MAX	MIN	MAX	MIN	MAX	MIN	MAX					
J-390C	110	390	106	352	92	306	90.20%	96.10%	91.60%	96.70%	4" nominal I.D. pipe PVC, CPVC or Stainless steel	1 1/4" NPT (Male)	3/4" NPT (Female)	200 lbs.	

\* Net ratings are based on a piping and pick-up allowance of 1.15 (hot water). Slant/Fin should be consulted before selecting a boiler for installation having unusual piping and pick-up requirements. No orifice changes are required for high altitude installations.



**U.S.A.**  
Slant/Fin Corporation • 100 Forest Drive  
Greenvale, NY 11548 • 516-484-2600  
www.slantfin.com

**Canada**  
Slant/Fin LTD/LTEE • 6450 Northam Drive  
Mississauga, Ontario L4V 1H9 • 905-677-8400  
www.slantfin.ca