



**PARTS LIST  
PACKAGED CAST-IRON OIL  
BOILERS**

**Table 1: WATER BOILER PARTS LIST, P, PT AND PPT (See exploded view pg. 4)**

ITEM	DESCRIPTION	QTY	LD-20	LD-30	LD-40	LD-50	LD-60	LD-70
1A	Casting subassembly water, extended boss less plate	1	4307121	4307131	4307141	4307151	4307161	4307171
1B	Casting subassembly water, solid front (NO provision for tankless)	1	4307021	4307031	4307041	4307051	4307061	4307071
2	Burner mounting door	1	432910000	432910000	432910000	432910000	432910000	432910000
4	Target wall	1	430029	430029	430029	430029	430029	430029
4A	Blanket, insulation	1	—	—	—	—	430059	430060
5	Bolt 3/8-16	1	480119	480119	480119	480119	480119	480119
5A	Washer flat 3/8 nom.	1	430117	430117	430117	430117	430117	430117
7	Hex nut 3/8-16 steel	3	400328	400328	400328	400328	400328	400328
8	Washer flat 3/8 nom. steel	9	430117	430117	430117	430117	430117	430117
9	Blank plate, tankless	1	430031	430031	430031	430031	430031	430031
10	Gasket 1/8 thick	1	430071	430071	430071	430071	430071	430071
11	Cap screw 3/8-16 x 3/4 long hex hd.	6	400200	400200	400200	400200	400200	400200
12	Flue collector (LD-30/LD-40 add item 12B)	1	430032	432708	432709	430035	430036	430037
12A	Flue collector sealant	1	430147	430147	430147	430147	430147	430147
12B	Rope Seal (Hinged Flue Collector)	1	—	480064	480065	—	—	—
13	Carriage bolt 1/4-20 x 2-1/2 long	1	430108	430108	430108	430108	430108	430108
13A	Wing nut 1/4-20	1	400147	400147	400147	400147	400147	400147
13B	Washer 1/4"	1	909783071	909783071	909783071	909783071	909783071	909783071
14	Clean out door plate	1	430019	430019	430019	430019	430019	430019
15	Observation door	1	400114400	400114400	400114400	400114400	400114400	400114400
16	Self tapping screw, 1/4-20 x 3/4 long hex slotted hd.	3	480049000	480049000	480049000	480049000	480049000	480049000
17	Stud 3/8-16 x 1-3/8 steel interrupted thread	3	430107	430107	430107	430107	430107	430107
18	Jacket, insulated top	1	430362	430363	430364	430365	430366	430367
19	Jacket, insulated side	2	430372	430373	430374	430375	430376	430377
20	Jacket, insulated rear	1	430371	430371	430371	430371	430371	430371
21	Jacket, insulated front, water "PT and PPT"	1	430370	430370	430370	430370	430370	430370
21A	Jacket, insulated front "P"	1	430380	430380	430380	430380	430380	430380
21B	Jacket, front (lower)	1	430509	430509	430509	430509	430509	430509
22	Emblem - Slant/Fin	1	401020	401020	401020	401020	401020	401020
24	Sheet metal screw #8 x 3/8 AB hex slot hd.	22	908116021	908116021	908116021	908116021	908116021	908116021
25	Relief valve - H.W. 30 psi Conbraco or Watts	1	400103	400103	400103	400103	400103	400103
26	Nipple 3/4 x 2 long (for relief valve)	1	400225	400225	400225	400225	400225	400225
27	Drain valve 3/4 Nibco #74	1	400201	400201	400201	400201	400201	400201
28	Reducing bushing 1-1/2 NPT x 3/4 NPT	1	902179321	902179321	902179321	902179321	902179321	902179321
29	Tridicator (0-75 psi)	1	910373061	910373061	910373061	910373061	910373061	910373061
30	Control, hi limit Hon. L4080B1253 or W/R11B83-1	1	—	—	—	—	—	410699
30A	Control, high/low limit L4081A (PT)	1	—	—	—	—	410529	410529
30B	Control, hi limit-circ. Hon L8148A (P) (Obsolete)	1	400096	400096	400096	400096	400096	—
30C	Control, hi limit-circ. Hon L7248L1006 (P)	1	400096	400096	400096	400096	400096	—
30D	Control, hi-lo limit-circ. Hon L8124C1094 (PT) (Obsolete)	1	400095	400095	400095	400095	400095	—
30E	Control, hi-lo limit-circ. Hon L7224C1004 (PT)	1	400095	400095	400095	400095	—	—
30F	Control, Hydrostat 3250 Plus, hi-lo/high limit	1	430424	430424	430424	430424	430424	430424
30H	Control, Hydrostat 3250 Plus, hi-lo/high limit	1	430424	430424	430424	430424	430424	430424
30G	Control, Beckett Aquasmart 7600A1019U	1	790378000	790378000	790378000	790378000	790378000	790378000
31	Well 1/2 NPT x 1-1/2" (without tankless P)	1	410569	410569	410569	410569	410569	410569
31	Well 1/2 NPT x 3" (with tankless PT & PPT)	1	430150	430150	430150	430150	430150	430150
31	Well 1/2 NPT x 3" for use with Hydrostat Plus	1	430425	430425	430425	430425	430425	430425
32	Thermostat - 24V Hon. T822D1537	1	—	400101	400101	400101	400101	400101
33	Primary control, Honeywell R7184B Beckett burner	1	430672	430672	430672	430672	430672	N.A.
33A	Primary control, GeniSys 7505B1500 Beckett burner	1	430675	430675	430675	430675	430675	N.A.
33B	Primary control R7184B Carlin burner	1	430668	430668	430668	430668	430668	—
34	Burner assembly: Beckett	1	430661	430662	430663	430664	—	—
34A	Burner assembly: Carlin	1	430631	430633	430635	430638	430654	430656
34B	Burner assembly: Riello	1	—	4301533	4301543	4301553	—	—
35	Tankless heater assy. (optional)	1	430072	430073	430074	430074	430075	430075
36	Gasket, Beckett burner	1	—	430172	430172	430172	—	—
36A	Gasket, Carlin burner	1	430173	430173	430173	430173	430173	430173
37A	Circulator, Taco 007	1	7902022	7902022	7902022	7902022	7902022	7902022
37B	Circulator, Grundfos UP-15-42F	1	7902021	7902021	7902021	7902021	7902021	7902021
37C	Circulator, B&G NRF-22	1	7902023	7902023	7902023	7902023	7902023	7902023
37D	Circulator, Taco 0010	1	—	—	—	430102	430102	—
38	Pin retainer	2	480016	480016	480016	480016	480016	480016
39	Screw, pin retainers	4	480049	480049	480049	480049	480049	480049
42	Junction box	1	480071	480071	480071	480071	480071	480071
43	Junction box cover	1	480070	480070	480070	480070	480070	480070
44	Ground Screw	2	480049	480049	480049	480049	480049	480049
45	"L" Baffle	1	430885000	430885000	430885000	—	—	—
46	"T" Baffle	x	—	430886020 (x=1)	430886020 (x=2)	430886020 (x=3)	430886020 (x=4)	430886020 (x=5)

Replacement Parts are available from Slant/Fin Corporation  
100 Forest Drive  
Greenvale, NY 11548



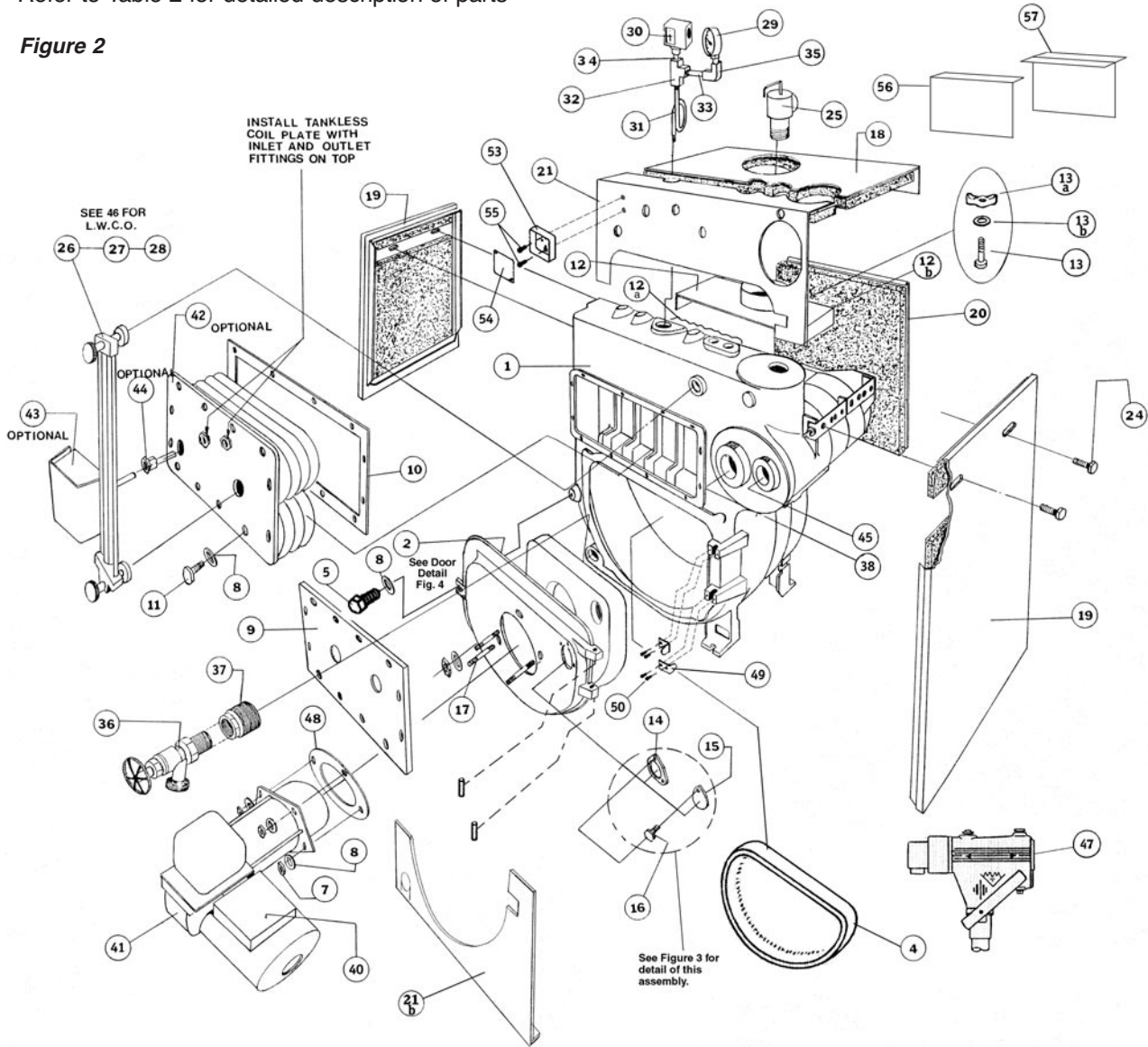
PUBLICATION NO. LD-10PL revD  
Printed in U.S.A. 1120  
Part No. 43-0314

**Table 2: STEAM BOILER PARTS LIST, PZ AND PZT (See exploded view pg. 3)**

ITEM	DESCRIPTION	QTY	LD-30	LD-40	LD-50	LD-60	LD-70
1	Casting subassembly steam, less plate	1	4320331	4320341	4320351	4320361	4320371
2	Burner mounting door	1	432910000	432910000	432910000	432910000	432910000
4	Target wall	1	430029	430029	430029	430029	430029
4A	Blanket Insulation	1	430106	430105	430104	430059	430060
5	Bolt 3/8-16	1	480119	480119	480119	480119	480119
7	Hex nut 3/8-16 steel	3	400328	400328	400328	400328	400328
8	Washer flat 3/8 nom. steel	15	430117	430117	430117	430117	430117
9	Blank plate, tankless steam	1	430021	430021	430021	430021	430021
10	Gasket 1/8 thick	1	430070	430070	430070	430070	430070
11	Cap screw 3/8-16 x 3/4 long hex hd.	12	400200	400200	400200	400200	400200
12	Flue collector (LD-30/LD-40 add item 12B)	1	432708	432709	430035	430036	430037
12A	Flue collector sealant	1	430147	430147	430147	430147	430147
12B	Rope Seal (Hinged Flue Collector)	1	480064	480065	—	—	—
13	Carriage bolt 1/4-20 x 2-1/2 long	1	430108	430108	430108	430108	430108
13A	Wing nut 1/4-20	1	400147	400147	400147	400147	400147
13B	Washer 1/4"	1	909783071	909783071	909783071	909783071	909783071
14	Clean out door plate	1	430019	430019	430019	430019	430019
15	Observation door	1	400114400	400114400	400114400	400114400	400114400
16	Self tapping screw, 1/4-20 x 1 long hex slotted hd.	3	400217	400217	400217	400217	400217
17	Stud 3/8-16 x 1-3/8 steel interrupted thread	3	430107	430107	430107	430107	430107
18	Jacket, insulated top	1	430363	430364	430365	430366	430367
19	Jacket, insulated side	2	430373	430374	430375	430376	430377
20	Jacket, insulated rear	1	430371	430371	430371	430371	430371
21	Jacket, insulated front, steam	1	430360	430360	430360	430360	430360
21B	Jacket, front (lower)	1	430509	430509	430509	430509	430509
22	Emblem - Slant/Fin	1	401020	401020	401020	401020	401020
24	Sheet metal screw #8 x 3/8 AB hex slot hd.	22	908116021	908116021	908116021	908116021	908116021
25	Safety valve Conbraco 13-501 or Watts 315	1	400107	400107	400107	400107	400107
26	Water gauge set 1/2 NPT	1	402036	402036	402036	402036	402036
27	Glass - 5/8 dia. x 5-3/4 long	1	430132	430132	430132	430132	430132
28	Rod - 3/16 dia. x 7-3/4 long	2	430134	430134	430134	430134	430134
29	Pressure gauge - 30 psi 2-1/2	1	910374051	910374051	910374051	410374051	910374051
30	Pressuretrol PA404A1009	1	400117	400117	400117	400117	400117
31	Siphon - 1/4 NPT	1	400222	400222	400222	400222	400222
32	Tee - 1/4 x 1/4 x 1-1/4 brass	1	400223	400223	400223	400223	400223
33	Nipple - 1/4 x 2-1/2 long	1	400224	400224	400224	400224	400224
34	Nipple - 1/4 x close brass	1	400240	400240	400240	400240	400240
35	Elbow - 1/4 x 90 deg. brass	1	400232	400232	400232	400232	400232
36	Drain valve 3/4	1	400201	400201	400201	400201	400201
37	Reducing bushing - 1-1/2 NPT x 3/4 NPT	1	902179321	902179321	902179321	902179321	902179321
38	Plug square hd. - 1-1/2 NPT (skimmer tapping)	1	902342051	902342051	902342051	902342051	902342051
39	Thermostat - 24V Hon T822D1537	1	400101	400101	400101	400101	N.A.
40	Primary control, R7184B Carlin burner	1	430668	430668	430668	430668	
40A	Primary control, Honeywell R7184B Beckett burner	1	430672	430672	430672	400119	N.A.
40B	Primary control, GeniSys 7505B1500 Beckett burner	1	430675	430675	430675	430675	N.A.
41	Burner assembly, see #34 Table 1	1	—	—	—	—	—
42	Tankless heater assy. (optional)	1	430080000	430080000	430080000	430080000	430080000
43	Control, low limit Honeywell L4006A2049(optional)	1	410527	410527	410527	410527	410527
44	Well 1/2 NPT x 1-1/2" (PZ)	1	410569	410569	410569	410569	410569
44	Well 1/2 NPT x 3" (PZT)	1	430150	430150	430150	430150	430150
45	Plug 3/4 (for alternate L.W.C.O.)	1	902340051	902340051	902340051	902340051	902340051
46	Low water cut-off M&M PS 801-120 (optional)	1	430130	430130	430130	430130	430130
47	Low water cut-off M&M 67 (standard)	1	400116	400116	400116	400116	400116
48	Gasket, Beckett burner	1	430172	430172	430172	—	—
48A	Gasket, Carlin burner	1	430173	430173	430173	430173	430173
49	Pin retainer	2	480016	480016	480016	480016	480016
50	Screw, pin retainers	4	480049	480049	480049	480049	480049
53	Junction box	1	480071	480071	480071	480071	480071
54	Junction box cover	1	480070	480070	480070	480070	480070
55	Screw	2	480049	480049	480049	480049	480049
56	"L" Baffle	1	430885000	430885000	—	—	—
57	"T" Baffle	x	430886020 (x=1)	430886020 (x=2)	430886020 (x=3)	430886020 (x=4)	430886020 (x=5)

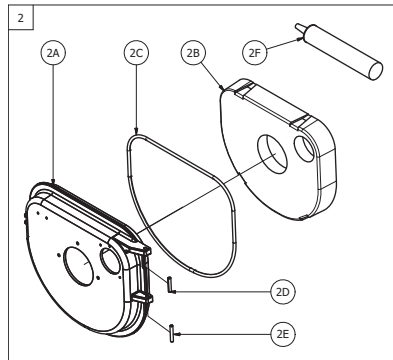
**STEAM BOILER (exploded view)**  
 Refer to Table 2 for detailed description of parts

**Figure 2**



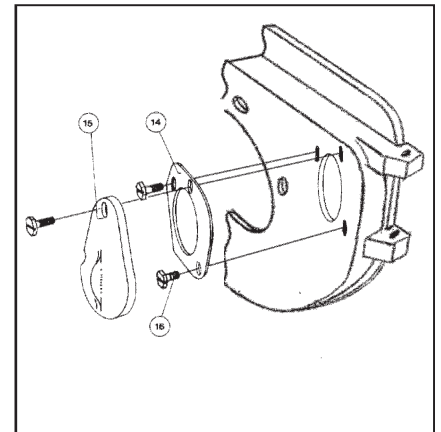
**BURNER DOOR ASSEMBLY DETAIL**

ITEM 2. P/N 432910000 BURNER DOOR ASSEMBLY DETAIL			
ITEM	QTY	PART NUMBER	DESCRIPTION
2A	1	430510400	BURNER DOOR - MACHINED
2B	1	430018000	INSULATION - BURNER DOOR
2C	1	403251000	FIBERGLASS ROPE 5/16
2D	1	480017000	ROLL PIN - UPPER HINGE
2E	1	480018000	ROLL PIN - LOWER HINGE
2F	1	730929000	CLEAR 5005 SEALANT



**Figure 4**

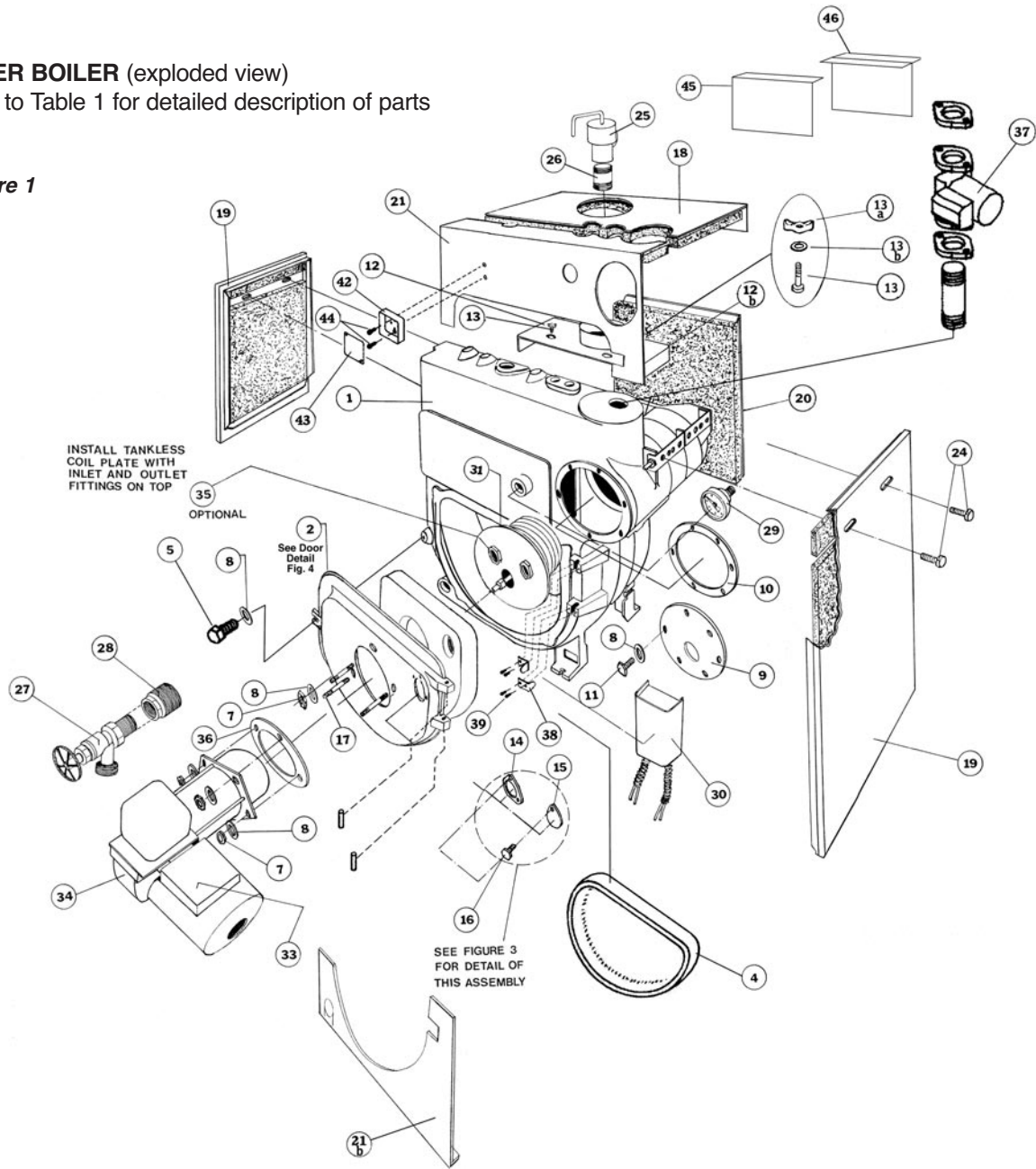
**DETAIL OF CLEAN OUT AND OBSERVATION DOOR ASSEMBLY**



**Figure 3**

**WATER BOILER (exploded view)**  
 Refer to Table 1 for detailed description of parts

Figure 1



BURNER DOOR ASSEMBLY DETAIL

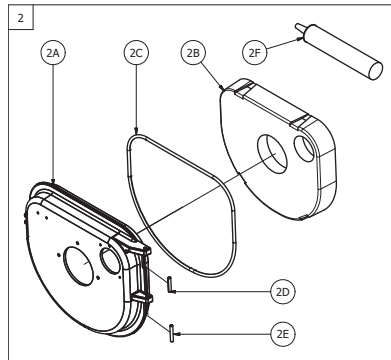


Figure 4

DETAIL OF CLEAN OUT AND OBSERVATION DOOR ASSEMBLY

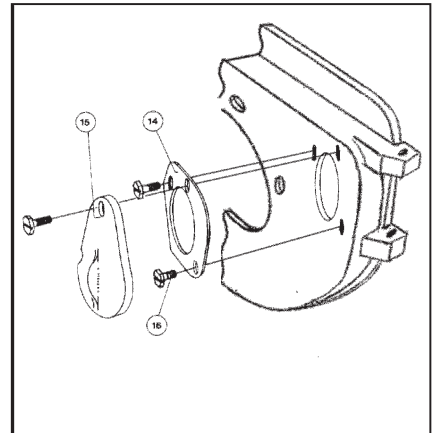


Figure 3

ITEM 2. P/N 432910000 BURNER DOOR ASSEMBLY DETAIL			
ITEM	QTY	PART NUMBER	DESCRIPTION
2A	1	430510400	BURNER DOOR - MACHINED
2B	1	430018000	INSULATION - BURNER DOOR
2C	1	403251000	FIBERGLASS ROPE 5/16
2D	1	480017000	ROLL PIN - UPPER HINGE
2E	1	480018000	ROLL PIN - LOWER HINGE
2F	1	730929000	CLEAR 5005 SEALANT

