



PRODIGY 21[®] Gas-fired • Direct Vent • Cast-iron • Hot water boilers

BOILER REPLACEMENT PARTS LIST

For Models KCS-50 and KCS-100

When ordering replacement parts, specify the boiler model number, serial number and gas by name (natural or propane). Parts are available from your local Slant/Fin heating contractor, wholesaler or Slant/Fin Corporation.

Ref.	Description	KCS-50	KCS-100
1	Gas Valve-RS7200 Dern	660520	660520
2	Combustion Blower	660527	660527
3	Electronic Control-United Tech.1013-12	660589	660589
4	Circulator Pump-Taco 007	660561	660561
4A	Circulator Pump-Grundfos UP15-42F	660562	660562
4B	Circulator Pump-B&G NRF-22	660564	660564
5	Air Pressure Switch	651302	651302
6	Low Water Cutoff-Manual Reset	651341	651341
6A	Low Water Cutoff Spring	651342	651342
6B	Water Limit Connector Harness	651343	651343
7	Water High Limit	650564	650564
8	High Limit Well	410674	410674
9	Secondary High Limit (Optional)	660524	660524
10	Temperature/Pressure Gauge	910373061	910373061
11	Pressure Relief Valve	650550	650550
12	Automatic Air Vent	651303	651303
13	Blower Connector Hose	660510150	660510225
14*	Hot Surface Ignitor	660720	660720
14A*	Hot Surface Ignitor Hold-down	660276	660276
14B*	Ignitor Guide Assembly	665038	665038
14C*	Ignitor Perforated Shield	660721	660721
15	Flame Detector	660501	660501
15A	Flame Detector Bracket	660161	660161
15B	Flame Detector Seal	660439	660439
16	24v Transformer	660528	660528
17	Silicone Tubing 1/8 I.D. x 26" Long	660598026	660598026
18	Expansion Tank	650536	650539
19	Expansion Tank Connector Tube	651713	651713
20	Water Outlet Manifold	650401	650401
21	Air Pressure Service Fitting	660529	660529
22	Gas Pressure Service Fitting	660530	660530
23	Clear Tubing 1/8 I.D. x 8" Long	660531	660531
24	Clear Tubing 3/16 I.D. x 8" Long	660532	660532
28	Thermostat Terminal Block	660523	660523
29	Safety Circuit 9 Pin Harness	651344	651344
30	Power Supply 3 Pin Harness	660652	660652
31	Flame Sensor Harness	660660	660660
32	Circulator Harness	660653	660653
33	Air Filter 6" x 11"	651306	651306
34	1/4 Turn Fastener	650541	650541

**Special Note on Reference Item #14: This Hot Surface Ignitor part number is only for use with Prodigy 21 boilers which incorporate an air-cooled ignitor guide and perforated shield. Refer to identification label above ignitor on boiler.*

This parts list must be left with owner, hung on or adjacent to the boiler. Owner should retain parts list for future reference.

PUBLICATION NO. P-10PL-B

Part No. 65-2113

Printed in U.S.A. 1100

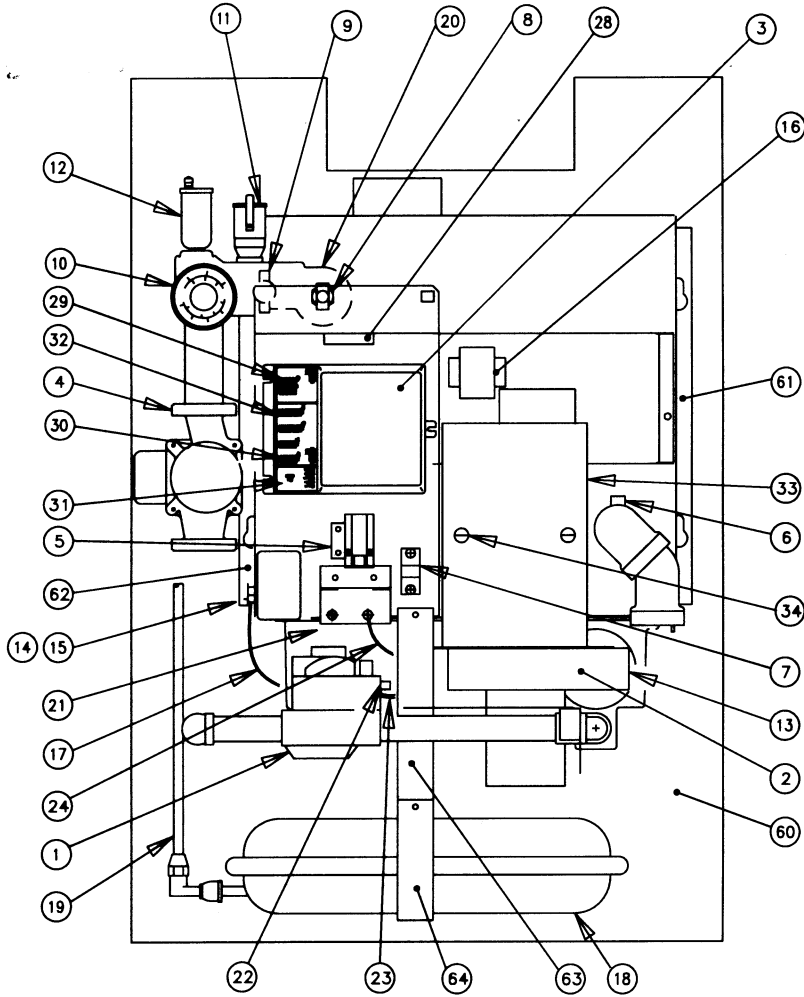
Ref	Description	KC-50	KC-100
34A	1/4 Turn Receptacle	650542	650542
35	Air Orifice Adapter	660031	660031
36	Air Orifice Plate*	660191	660192
37	Air Orifice Gasket	660410	660410
38	Burner Enclosure	660021	660022
39	Barbed Fitting - 3/16" Tubing	650600	650600
40	Barbed Fitting - 1/8" Tubing	660596	660596
41	Burner Enclosure Seal	660441041	660441044
42	Burner Thumb Nut	660608	660608
43	Burner Hold-down Spring	650512	650512
44	Burner Ground Wire	660654	660654
45	Burner Compression Bracket	665101	665102
46	Ceramic Burner	660511	660512
47	Burner Ground Strip	660503	660503
48	Burner Seal Gasket	660431	660432
49	Gas Tube	660179	660179
50	3/4 NPT x 8" Long Gas Manifold Pipe	460514	460514
51	3/4 Angle Flange	660032	660032
52	3/4 Straight Flange	660033	660033
53	Convertible Gas Orifice Plate*	660181	660182
54	Socket Head Screw 8-32 x 2-1/4"	660631	660631
54	Socket Head Screw 8-32 x 1-1/2"	660632	660632
55	8-32 Hex Nut	650668	650668
60	Wall Mounting Panel	651714	651714
61	Boiler Support - Right Side	650233	650233
62	Boiler Support - Left Side	650234	650234
63	Expansion Tank Upper Strap	650221	650221
64	Expansion Tank Lower Strap	651711	651712
65	Jacket Top Screen	650218	650219
66	Jacket Brace Assembly	651118	651118
67	Jacket Upper Cover Clip	650733	650733
68	Jacket Removable Side Panel	650216	650217
69	Jacket Left Side Panel	651721	651722
70	Jacket Right Side Panel	651723	651724
71	Jacket Lower Cover Clip	650742	650742
72	Jacket Bottom Brace	650215	650215
73	Front Cover Panel - Black	650971	650971
73 A	Front Cover Panel - White	650972	650972
73 B	Front Cover Panel - Gray	650973	650973
73 C	Front Cover Panel - Off-white	650974	650974

* Note: These Prodigy boiler models utilize the same air and gas orifices as the Concept series of boilers. Therefore, the model number shown on the orifice plates reflect the Concept boiler model's identification. (Prodigy KCS-50 uses orifice plates marked "45" and KCS-100 uses orifice plates marked "90".)

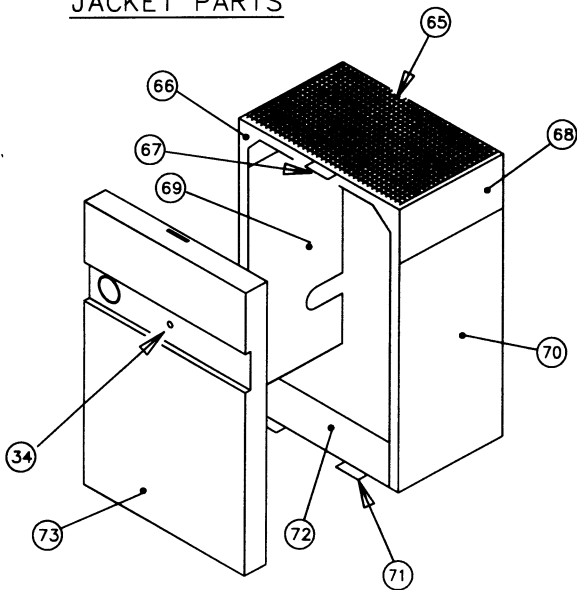
Optional Boiler Calibration Equipment:

Calibration Gage Kit . . .6651850 to 1" gage on stand with tubing and service fitting adapters.
Service Fitting Adapter .660533for gages with 3/16" I.D. tubing.

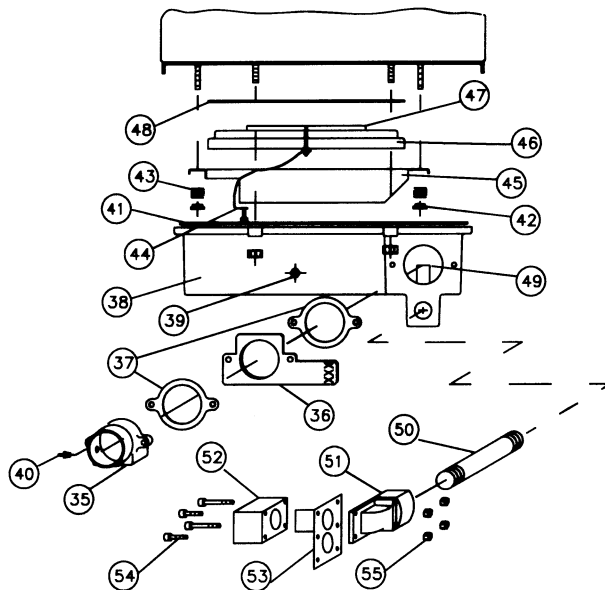
MECHANICAL CONTROLS AND DEVICES



JACKET PARTS



BURNER AND AIR/GAS SUPPLY COMPONENTS



OPTIONAL VENT SYSTEM PARTS AND KITS

3" DIAMETER SAF-T VENT SYSTEM (AL 29-4C STAINLESS STEEL)

Ref	Description	Slant/Fin Part #	Heat Fab Part #
80	12" Long Vent Adapter	660547	7302FIN
—	6" Long Vent Pipe	440671	7301GC
—	12" Long Vent Pipe	440672	7302GC
—	18" Long Vent Pipe	440673	7304GC
—	24" Long Vent Pipe	440674	7305GC
—	36" Long Vent Pipe	440675	7307GC
—	48" Long Vent Pipe	440676	7308GC
—	Tee (For Drain)	440686	7316GC
—	Drain Tee Cover	440687	7317GCD
—	In-line Cond. Drain*	440677	7320GC
84	Screen Term. Tee	440683	7390TEE
85	Screen Term. Straight	660548	7392GC
—	Screen Term. Elbow	440678	7314TERM
—	90° Elbow (Standard)	440682	7314GC
83	90° Elbow (Tight Radius)	651310	SF651310
—	45° Elbow	440681	7311GC
—	18" Slip-Joint Connector	440684	7324GC
—	Support, 6" Clearance	440679	7323GCC
—	Support, 2" Clearance	440692	7323GC2
—	Support Clamp	440680	4327SS
—	Firestop	440685	5318CI

* In-line condensate drain can be used as an alternate to the combination of drain tee and cover. A 1/2" I.D. drain tube is required for this part.

SEALANTS FOR VENT SYSTEM

86	GE-RTV 106, 3 oz. Tube	440690
—	Dow-Corning 732, 3 oz. Tube	440691
—	Dow-Corning 732, 10 oz. Cartridge	440693

3" PVC FOR AIR INTAKE SYSTEM

81	24" Long Pipe (Schedule 40)	651316
82	Coupling (Schedule 40)	651315
88	Coupling (Sewer and Drain)	660571
89	90° Elbow (Schedule 40)	660577
90	90° Street Elbow (Schedule 40)	660578

SLANT/FIN MANUFACTURED VENT SYSTEM PARTS

91	Vent Terminal (Stainless)	665020
92	Indoor Wall Plate	665119
93	Wall Passage Thimble†	660539
94	3" Air Inlet Screen (Stainless)	660236

† For use with vent terminal only. For installations where vent terminal is not used, wall passage requires thimble listed below, in conjunction with a slip-joint connector.

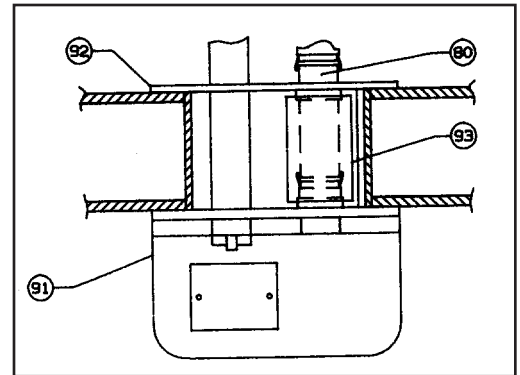
—	Wall Passage Thimble	440695
---	----------------------	--------

©Slant/Fin Corp.

Horizontal Venting Vent Terminal Kit (Standard)

Part No. 651702

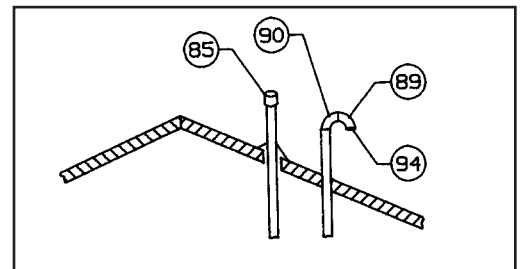
Includes Ref # 80, 81, 82, 83, 86, 88, 89, 91, 92, 93



Vertical Venting Roof Termination Kit (Optional)

Part No. 665192

Includes Ref # 85, 86, 88, 89, 90, 94



Slant/Fin®

SLANT/FIN CORPORATION, Greenvale, N.Y. 11548 • Phone: (516) 484-2600

FAX: (516) 484-5921 • Canada: Slant/Fin LTD/LTEE, Mississauga, Ontario

www.slantfin.com